

**TMH 660 ALUMINUM RAILING SYSTEM**

NY GLAZING GROUP

Our TMH660 HR2 with tempered laminated glass infill option is tested and evaluated in accordance with AC273 (June 2017), Acceptance Criteria for Handrails and Guards to meet the structural performance requirements and comply with the following building codes:

- 2015 International Building Code®, International Code Council
- 2015 International Residential Code®, International Code Council



**Bill of Material**

We offer our customers free material estimates. Please submit a quick sketch of your project to [tom@nyglazing.com](mailto:tom@nyglazing.com) and we will get you precise bill of material.

**Shop Drawings and Custom Solutions:**

Shop drawings can be provided for standard applications for integration in architectural drawings or for engineer's review and approval.

**Building Code Requirements**

Codes and safety requirements are subject to local regulations and can change without notice. Please contact local authorities to ensure that your construction project is in compliance with all rules and regulations.

**ADA Compliance**

Please refer to the latest standards for accessible design to check for compliance with ADA requirements.

**Structural Strength and Testing Data**

We develop our products to meet industry standards, however we are not responsible for approval of any of our products for structural strength. Please consult with a licensed engineer to determine that product being used is of adequate structural strength for your application.

**NOTES:**

All screws and anchors/bolts material to be stainless steel.

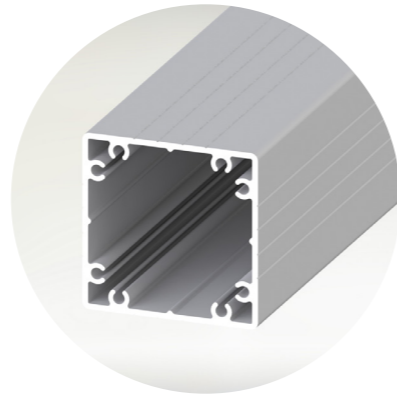
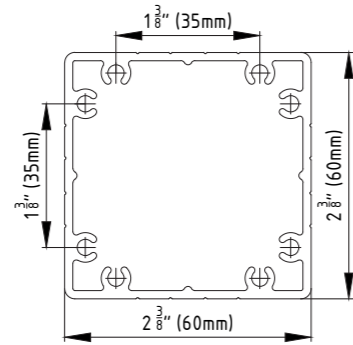
**Standard colors:**

RAL 9005/30 BLACK MATT

**Available colors:**

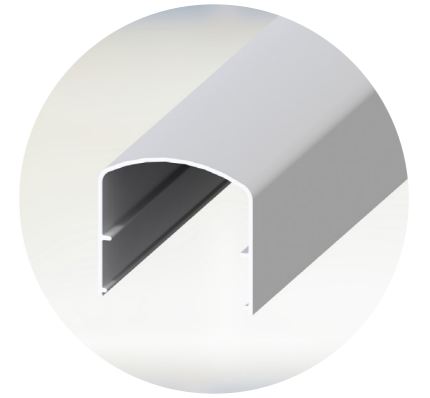
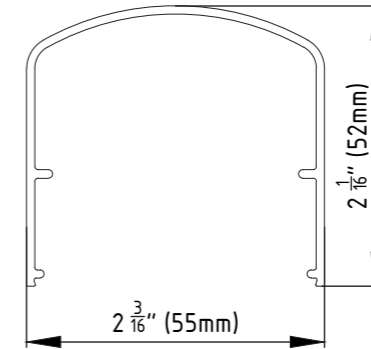
Any RAL code

Description Post Profile  
 Item # PP-1  
 Weight, lb/ft 1.34  
 Length 241"  
 Price \$182.18

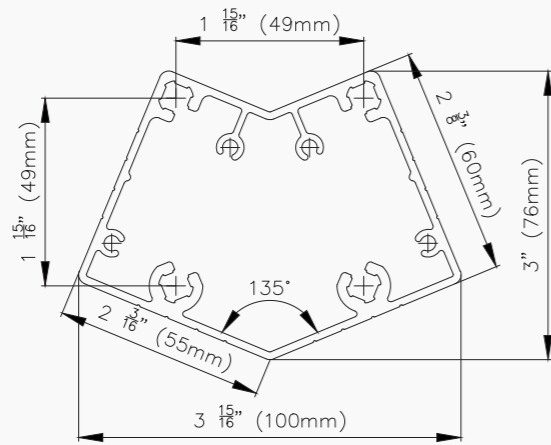


SYSTEM COMPONENTS

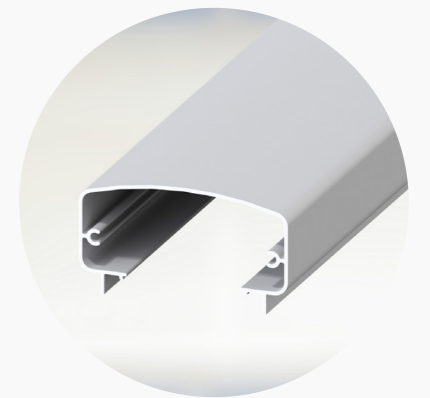
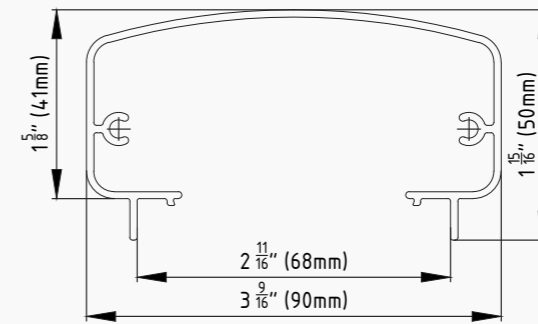
Description Hand Rail  
 Item # HR-1  
 Weight, lb/ft 0.42  
 Length 241"  
 Price \$76.85



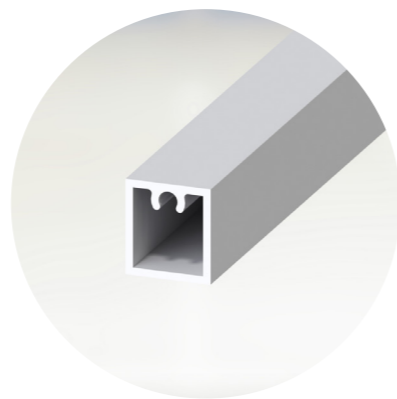
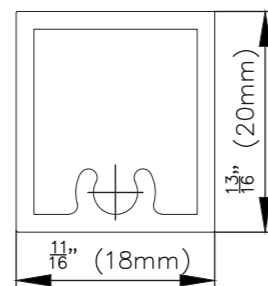
Description Post Profile  
 Item # PP-2  
 Weight, lb/ft 1.67  
 Length 241"  
 Price \$211.63



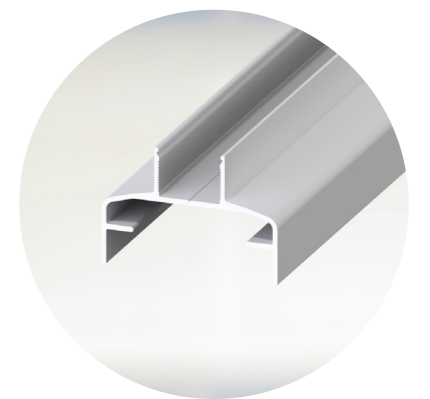
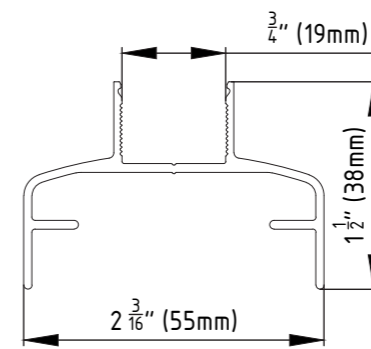
Description Hand Rail  
 Item # HR-2  
 Weight, lb/ft 0.69  
 Length 241"  
 Price \$192.23



Description Picket Infill  
 Item # P-1  
 Weight, lb/ft 0.23  
 Length 241"  
 Price \$47.83

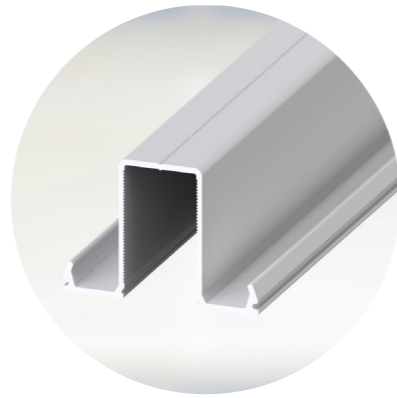
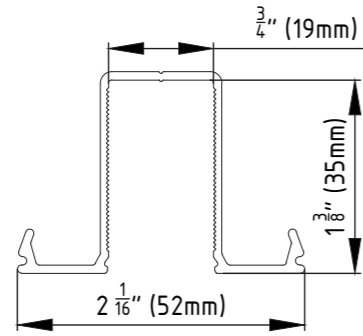


Description Bottom Rail  
 Item # BR-1  
 Weight, lb/ft 0.39  
 Length 241"  
 Price \$90.27



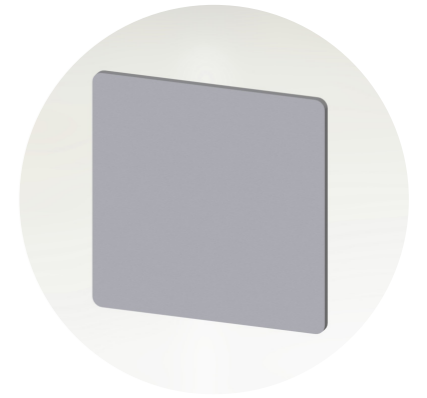
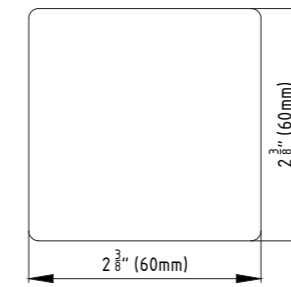
SYSTEM COMPONENTS

Description Top Rail  
 Item # TR-1  
 Weight, lb/ft 0.35  
 Length 241"  
 Price \$87.73

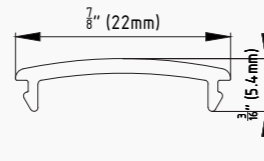


SYSTEM COMPONENTS

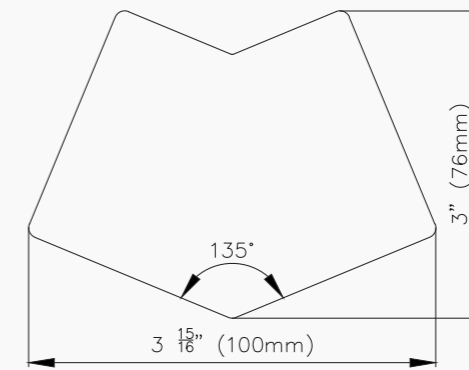
Description Post Cover  
 (ACM Rounded)  
 Item # PC-1  
 Weight, lb 0.07  
 Quantity, pcs 1  
 Price \$8.20



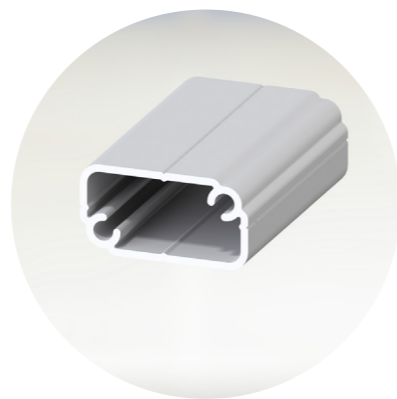
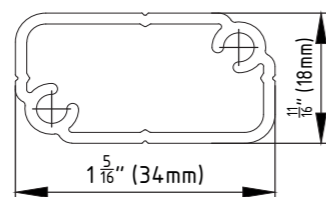
Description Snap Cover  
 Item # SC-1  
 Weight, lb/ft 0.07  
 Length 241"  
 Price \$42.53



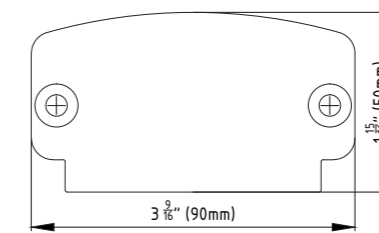
Description Post Cover  
 (ACM Rounded)  
 Item # PC-2  
 Weight, lb 0.08  
 Quantity, pcs 1  
 Price \$71230



Description Shear Block  
 Item # SB-1  
 Weight, lb/ft 0.28  
 Length 241"  
 Price \$59.69

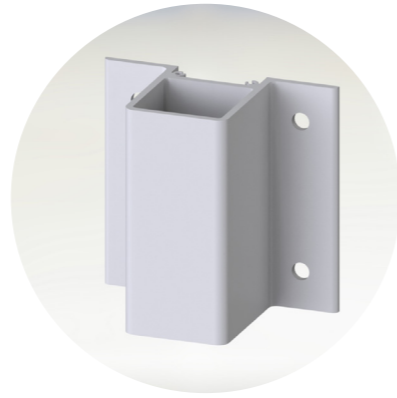
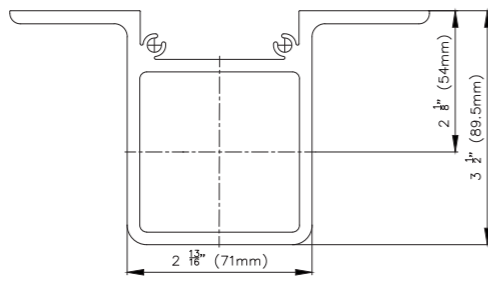


Description End Cap  
 (Solid Aluminum)  
 Item # EC-1  
 Weight, lb 0.05  
 Quantity, pcs 1  
 Price \$11.46



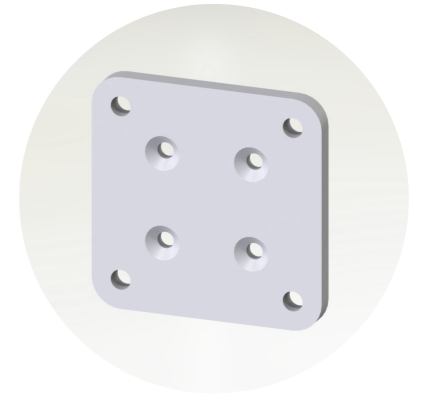
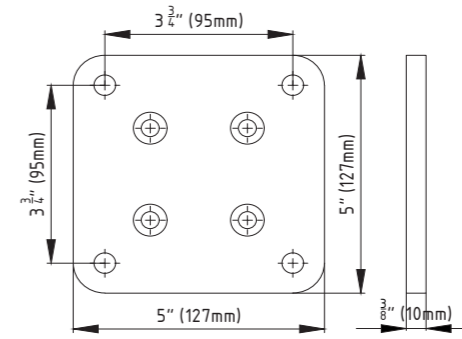
SYSTEM COMPONENTS

Description Mounting Bracket  
 Item # MB-1  
 Weight, lb 1.78  
 Quantity, pcs 1  
 Price \$68.71

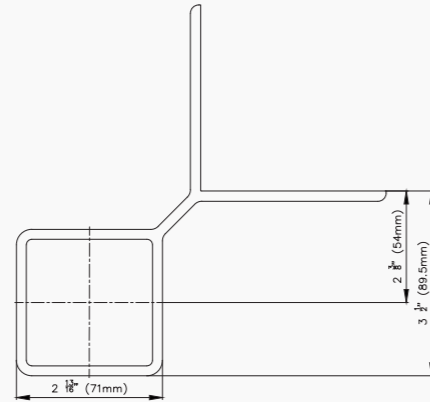


SYSTEM COMPONENTS

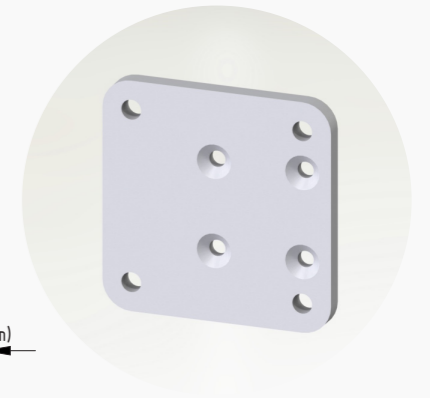
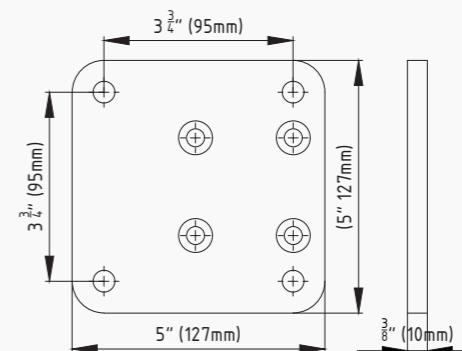
Description Mounting Plate  
 (Solid Aluminum Plate)  
 Item # MP-1  
 Weight, lb 0.91  
 Quantity, pcs 1  
 Price \$24.38



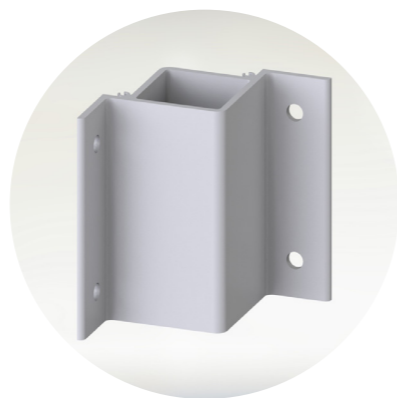
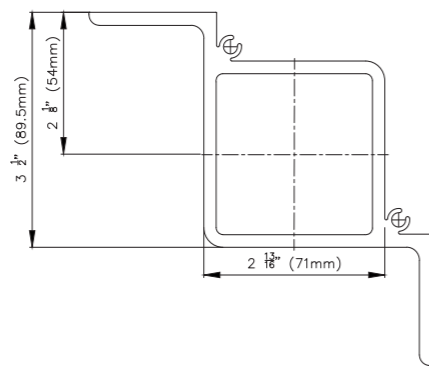
Description Mounting Bracket  
 Item # MB-2  
 Weight, lb 2.04  
 Quantity, pcs 1  
 Price \$67.36



Description Offset Mounting Plate  
 (Solid Aluminum Plate)  
 Item # MP-2  
 Weight, lb 0.91  
 Quantity, pcs 1  
 Price \$22.38

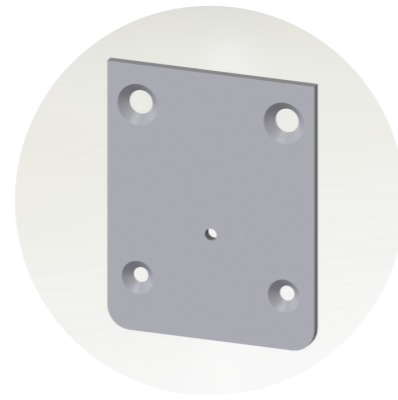
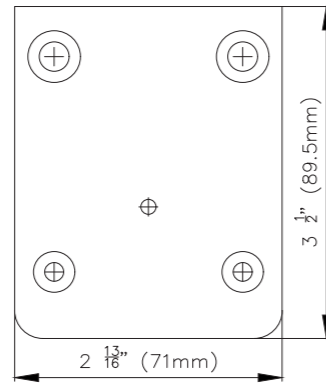


Description Mounting Bracket  
 Item # MB-3  
 Weight, lb 1.78  
 Quantity, pcs 1  
 Price \$72.71



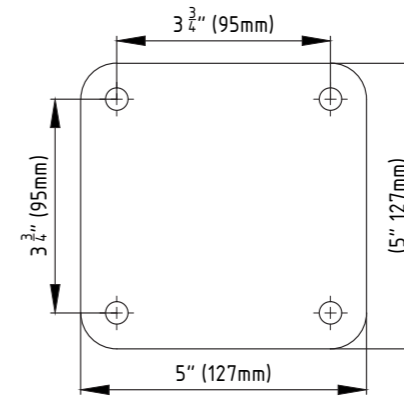
SYSTEM COMPONENTS

Description Bottom Cap  
 Item # BC-1  
 Weight, lb 0.11  
 Quantity, pcs 1  
 Price \$11.10

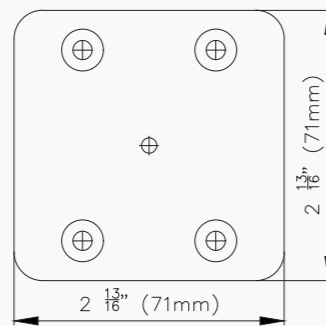


SYSTEM COMPONENTS

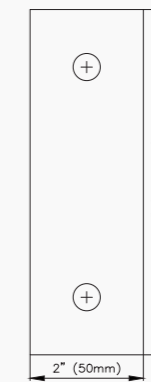
Description Moisture Barrier Gasket  
 Item # MBG-1  
 Weight, lb 0.13  
 Quantity, pcs 1  
 Price \$6.15



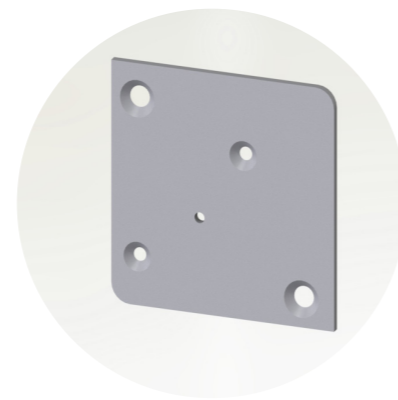
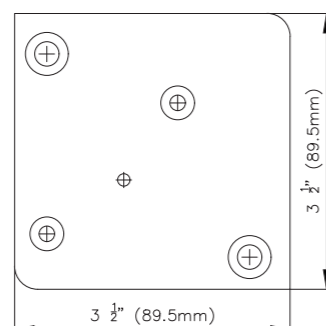
Description Bottom Cap  
 Item # BC-2  
 Weight, lb 0.08  
 Quantity, pcs 1  
 Price 12.10



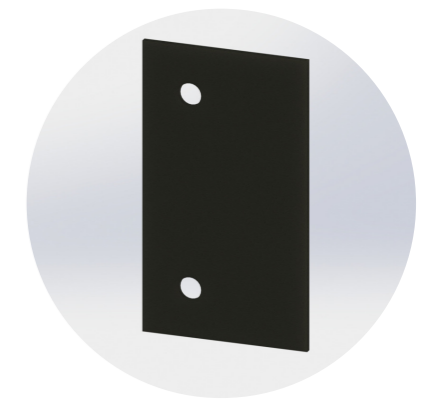
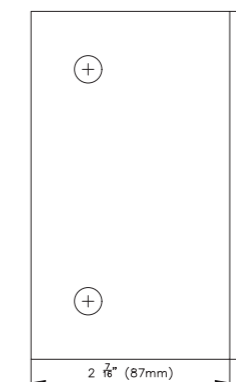
Description Moisture Barrier Gasket  
 Item # MBG-2  
 Weight, lb 0.06  
 Quantity, pcs 1  
 Price \$3.05



Description Bottom Cap  
 Item # BC-3  
 Weight, lb 0.14  
 Quantity, pcs 1  
 Price \$12.10

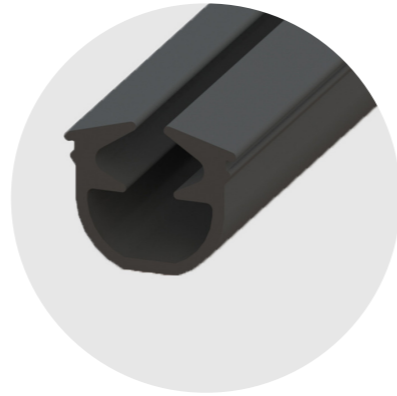
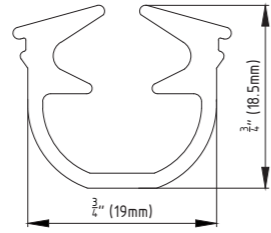


Description Moisture Barrier Gasket  
 Item # MBG-3  
 Weight, lb 0.10  
 Quantity, pcs 1  
 Price \$5.10



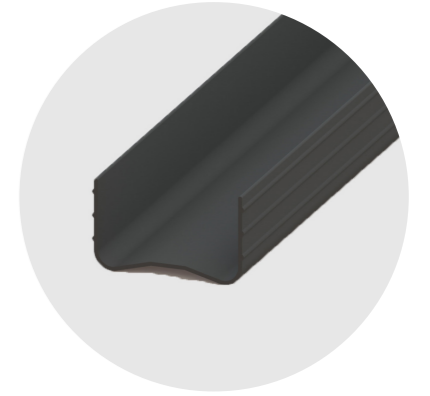
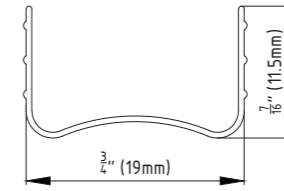
SYSTEM COMPONENTS

Description Glass Gasket  
 Item # GG -1, 1/4" (6 mm)  
 Weight, lb/ft 0.12  
 Length 328'  
 Price \$401.73

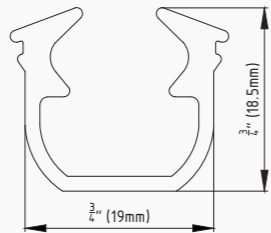


SYSTEM COMPONENTS

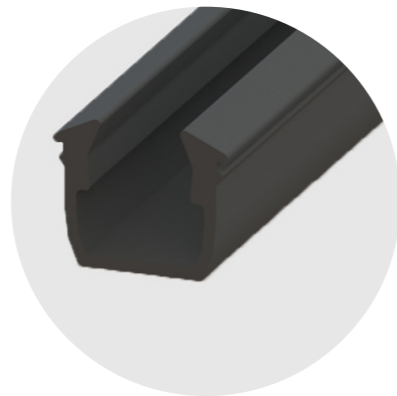
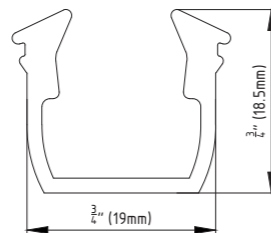
Description Picket Gasket  
 Item # PG-1  
 Weight, lb/ft 0.01  
 Length 328'  
 Price \$149.45



Description Glass Gasket  
 Item # GG-2, 3/8" (10 mm)  
 Weight, lb/ft 0.11  
 Length 328'  
 Price \$386.93



Description Glass Gasket  
 Item # GG-3, 1/2" Lami (13,2 mm)  
 Weight, lb/ft 0.11  
 Length 328'  
 Price \$386.93





HARDWARE

Description Pan Head Sheet Metal Screw #8 X 2"  
Stainless Steel  
Price per pack (100 pcs) \$15.50



HARDWARE

Description Flat Head Sheet Metal Screw #8 X 3/4"  
Stainless Steel  
Price per pack (100 pcs) \$6.73



Description Pan Head Sheet Metal Screw #8 X 3/4"  
Stainless Steel  
Price per pack (100 pcs) \$7.25



Description Flat Head Sheet Metal Screw #14 X 1 1/2"  
Stainless Steel  
Price per pack (100 pcs) \$21.18



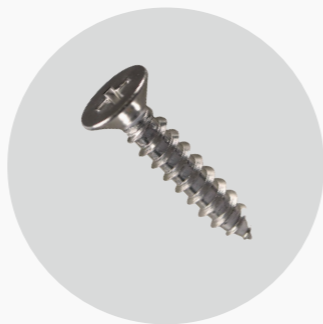
Description Pan Head Sheet Metal Screw #10 X 3/4"  
Stainless Steel  
Price per pack (100 pcs) \$14.83



Description DIN 7991 M8X70  
Stainless Steel  
Price per pack (100 pcs) \$95.00



Description Flat Head Sheet Metal Screw #10 X 3/4"  
Stainless Steel  
Price per pack (100 pcs) \$9.30

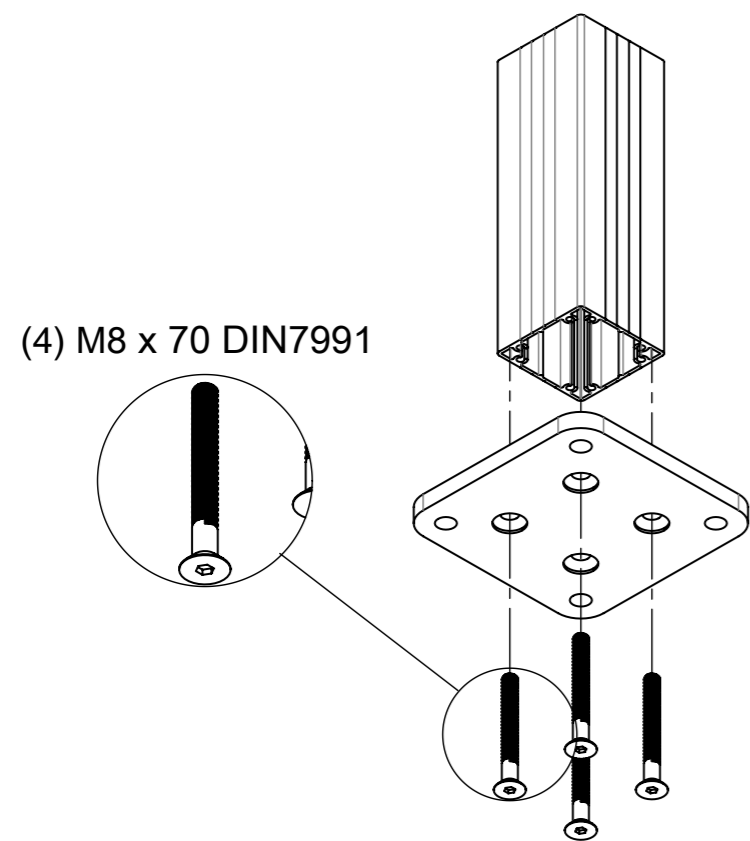


Description Hex Head Tek Screw #14 X 3/4"  
Stainless Steel  
Price per pack (100 pcs) \$26.06



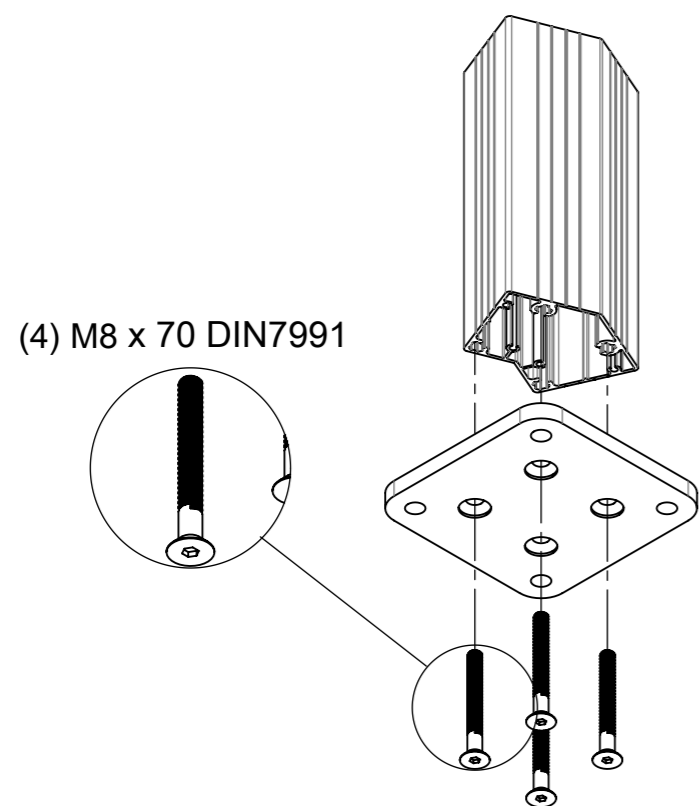
1.1 POST PROFILE INSTALLATION SCHEME FOR HORIZONTAL SURFACE.

USE PROFILE PP-1 AND MOUNTING PLATE MP-1



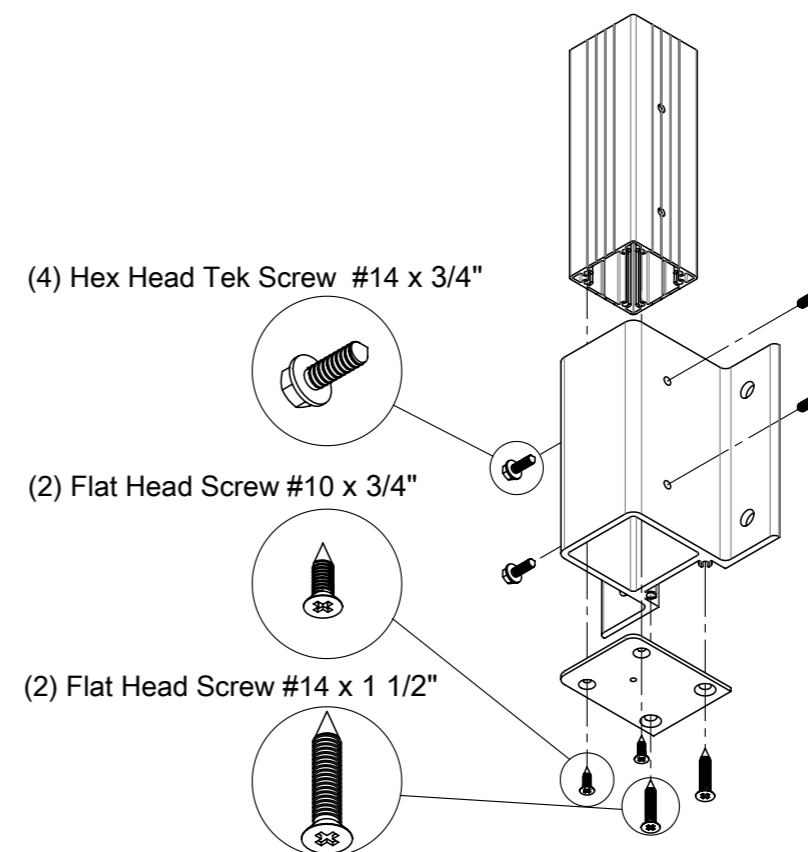
1.2 135 DEGREE POST PROFILE INSTALLATION SCHEME FOR HORIZONTAL SURFACE.

USE PROFILE PP-2 AND MOUNTING PLATE MP-1



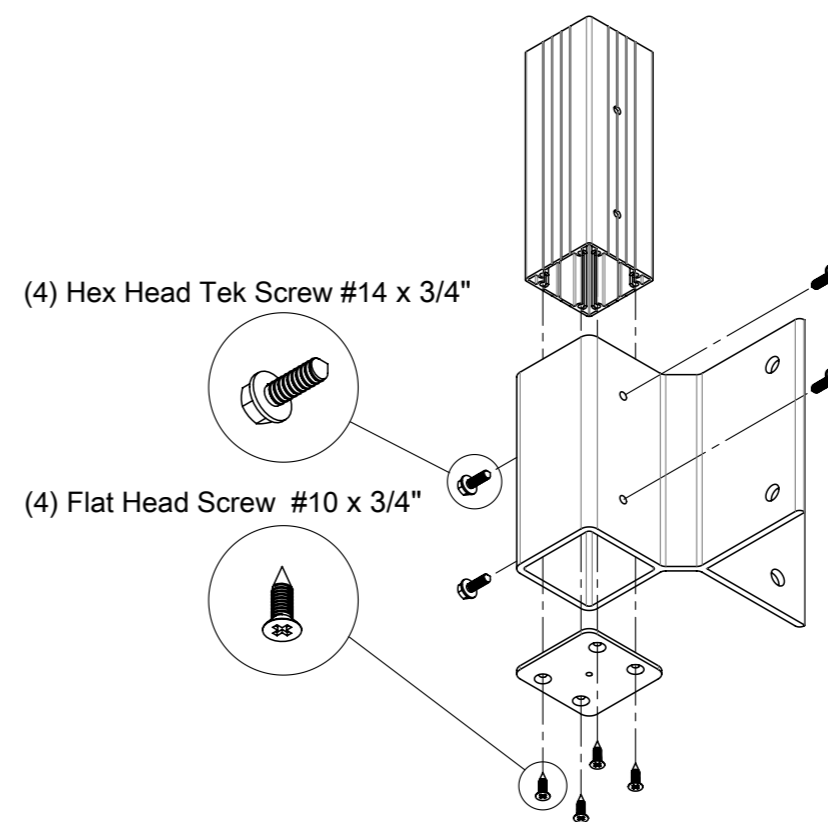
1.3 POST PROFILE INSTALLATION SCHEME FOR FLAT VERTICAL SURFACE.

USE PROFILE PP-1, MOUNTING BRACKET MB-1 AND BOTTOM CAP BC-1

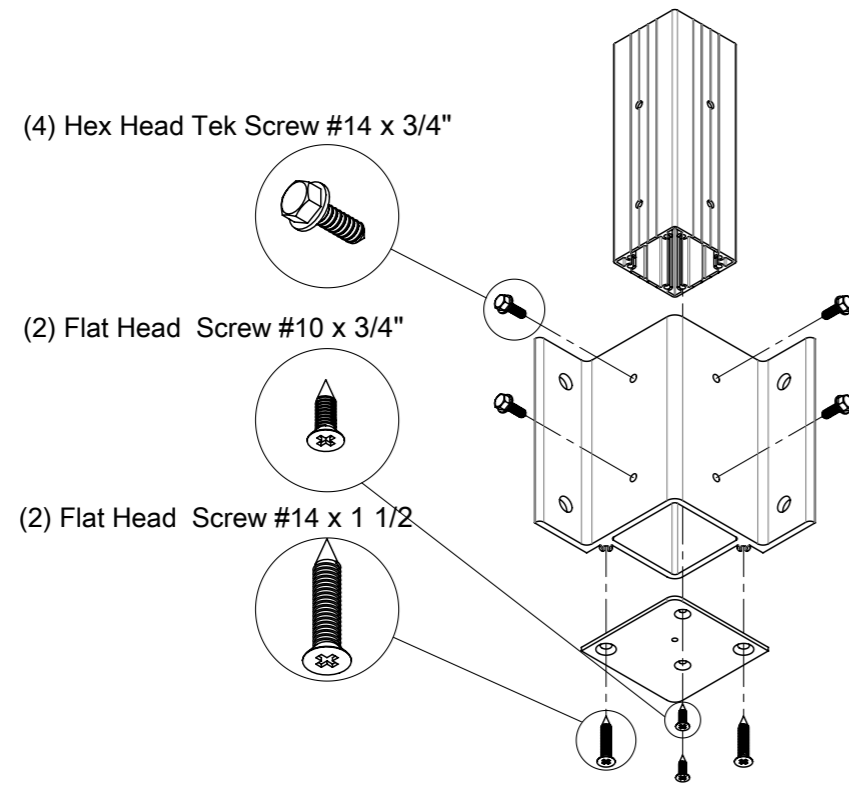


1.4 POST PROFILE INSTALLATION SCHEME FOR OUTSIDE VERTICAL SURFACE.

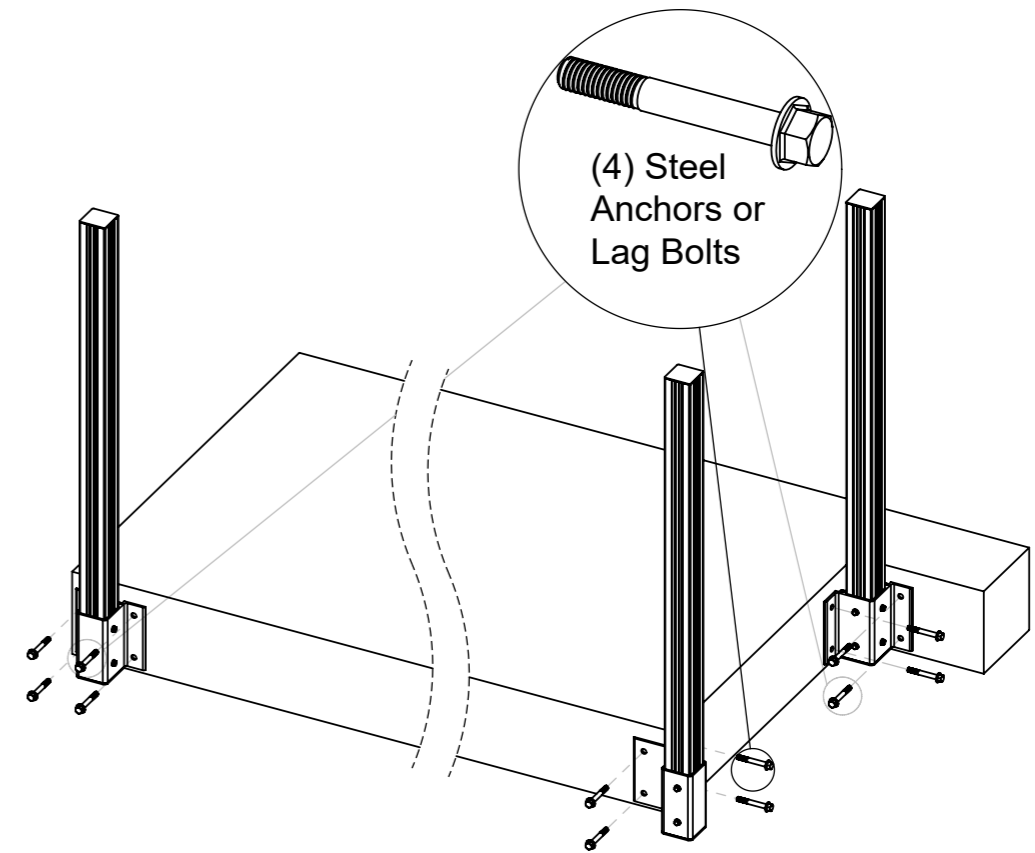
USE PROFILE PP-1, MOUNTING BRACKET MB-2 AND BOTTOM CAP BC-2



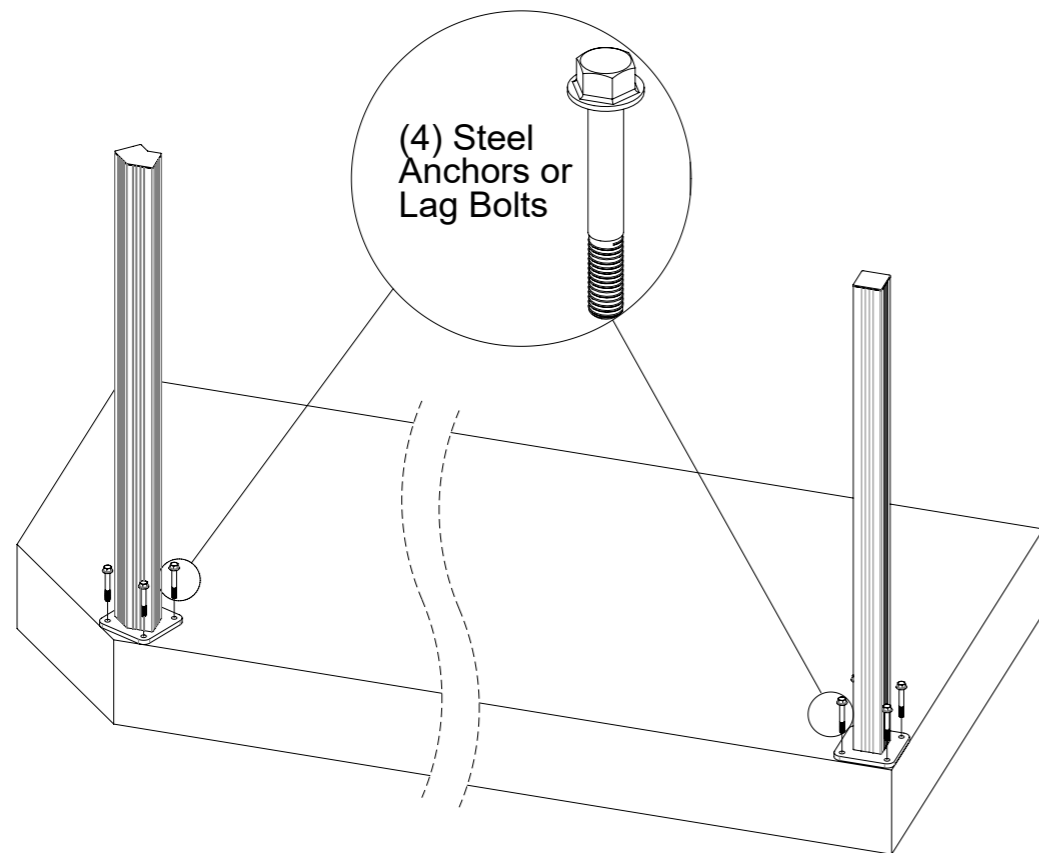
1.5 POST PROFILE INSTALLATION SCHEME FOR INSIDE CORNER OF VERTICAL SURFACE.  
 USE PROFILE PP-1, MOUNTING BRACKET MB-3 AND BOTTOM CAP BC-3



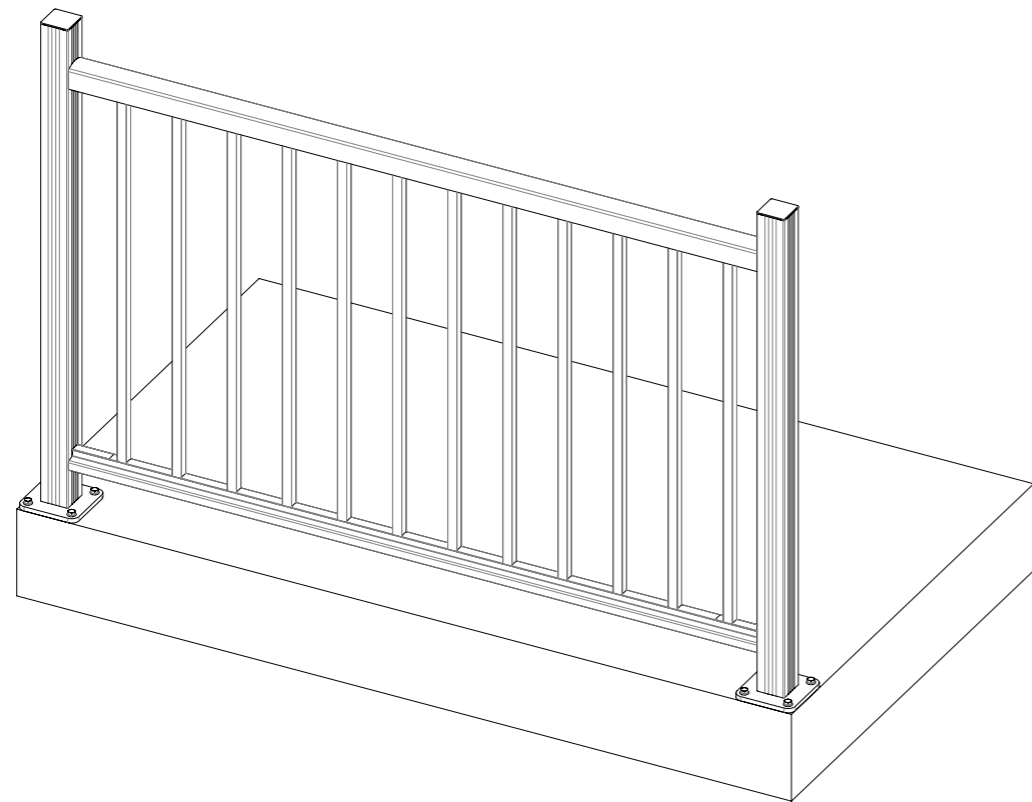
1.7



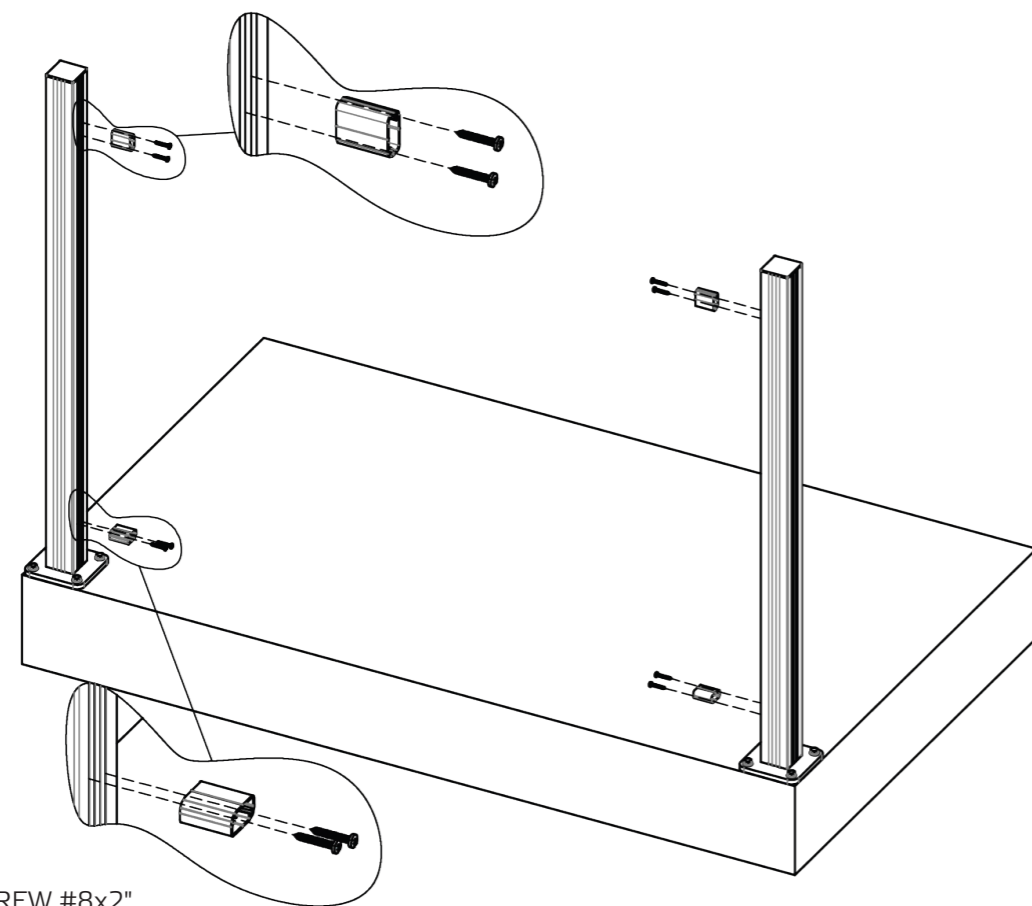
1.6



2 RAILINGS WITH PICKET INFILL AND HANDRAIL STYLE 1

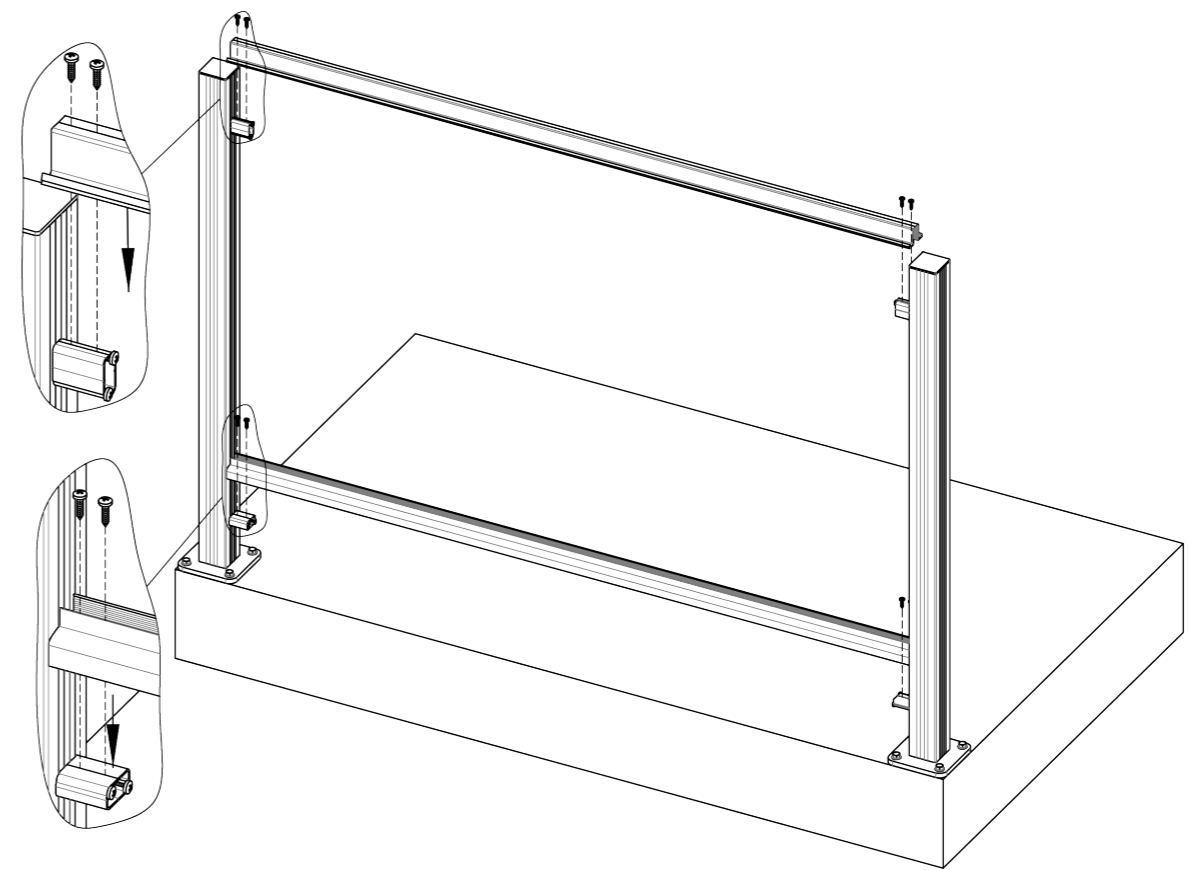


2.1



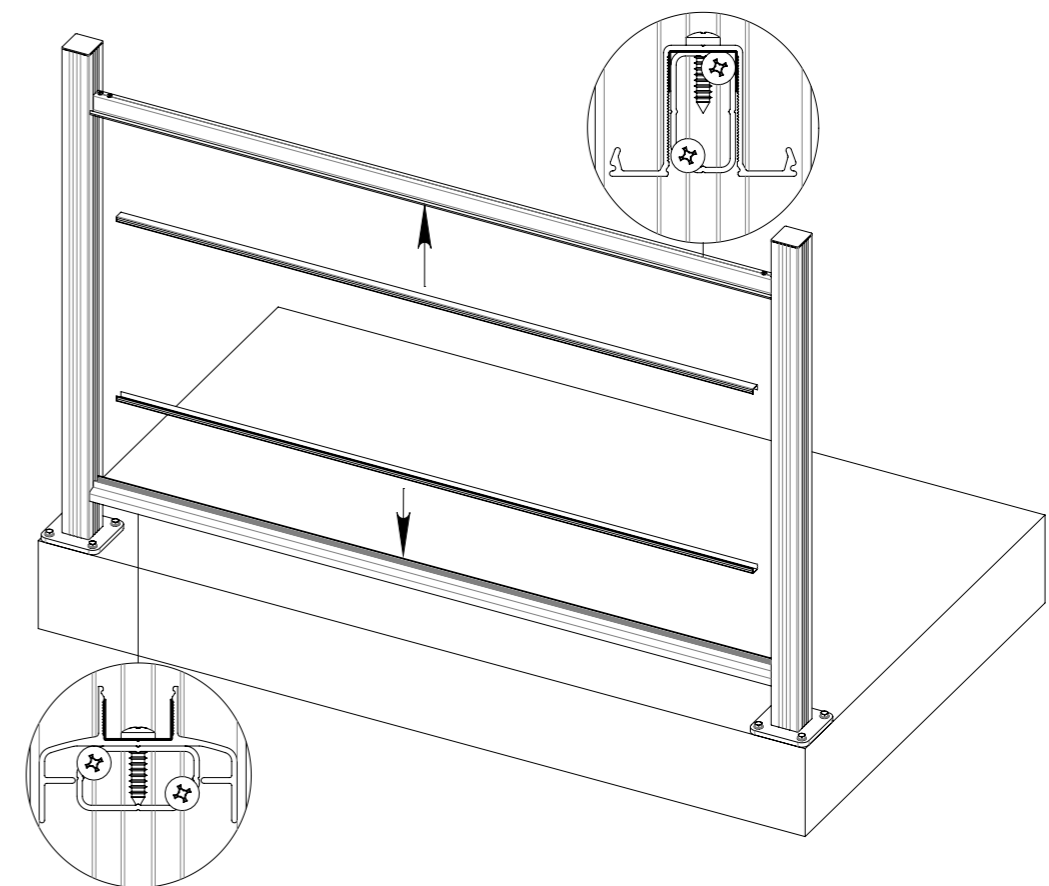
(8) PAN HEAD SCREW #8x2"

2.2

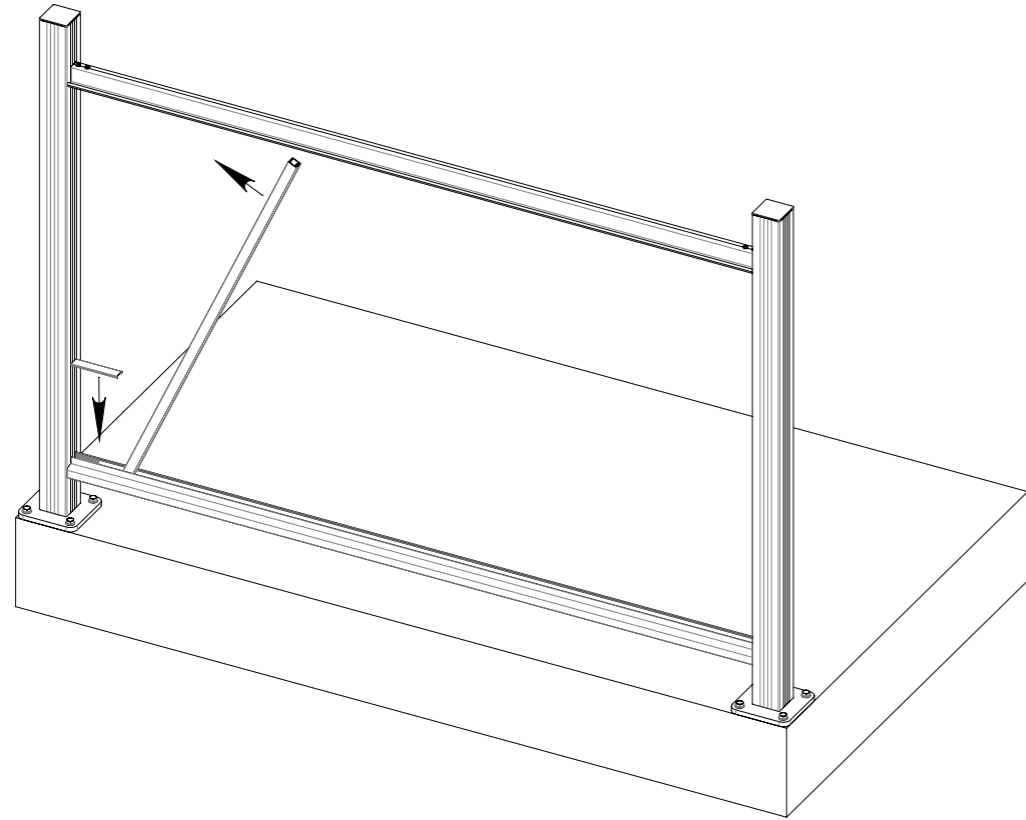


(8) PAN HEAD SCREW #8x3/4"

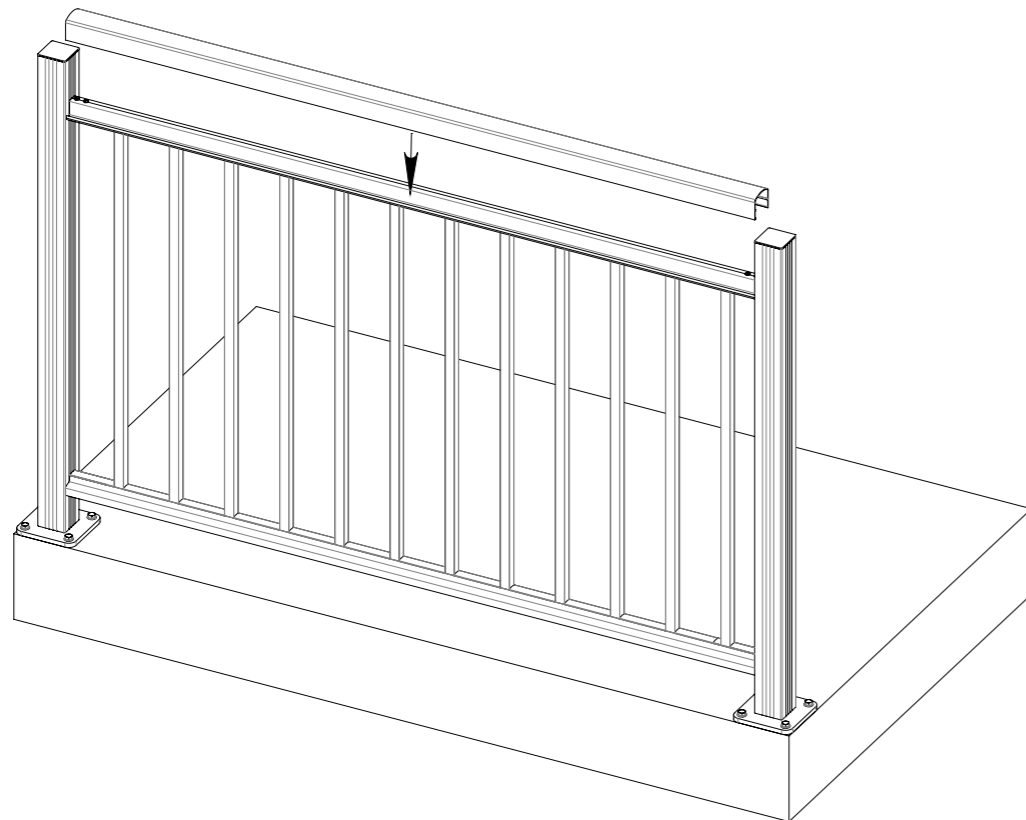
2.3



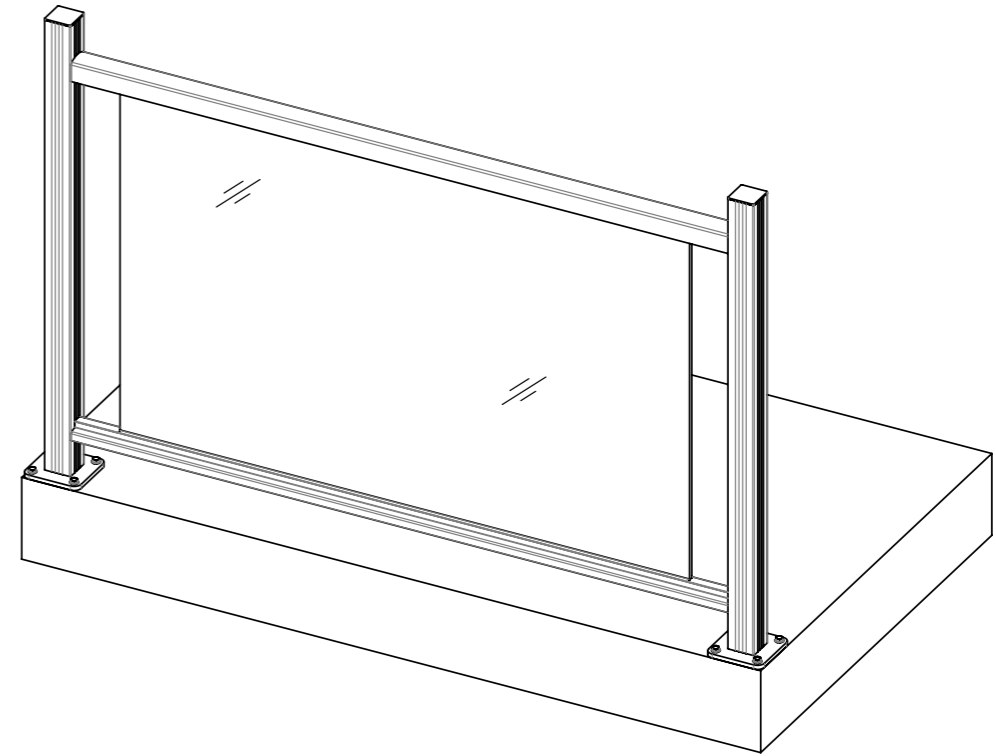
2.4



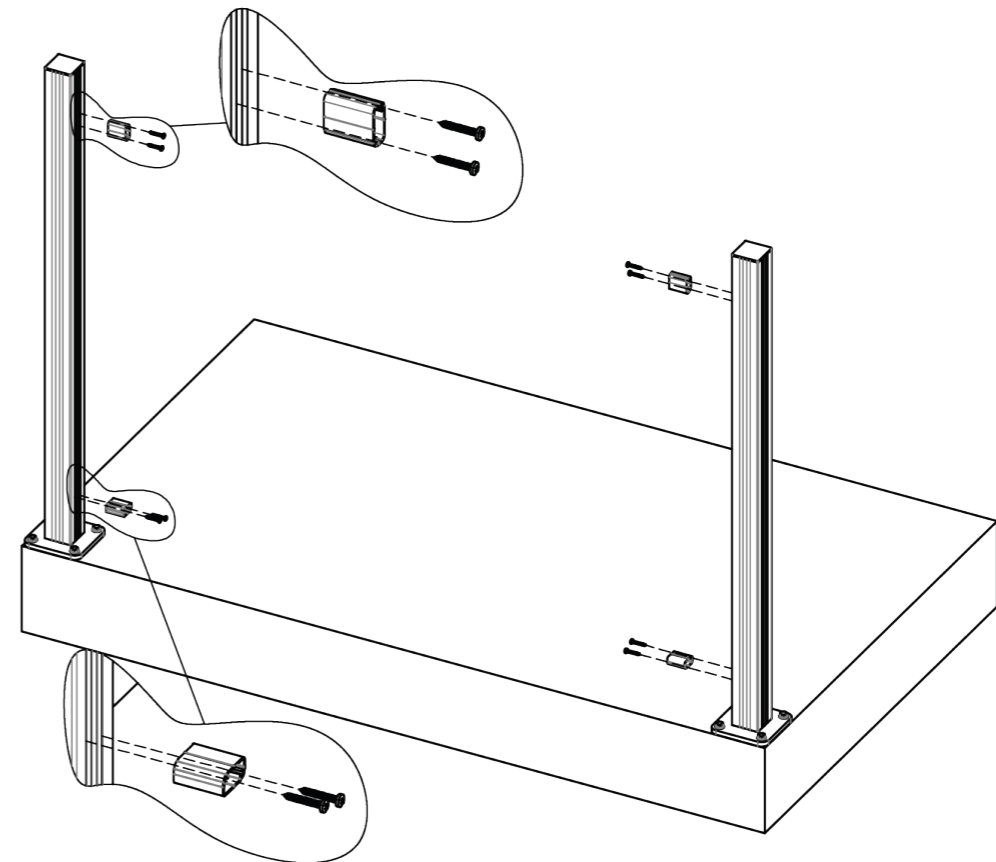
2.5



3 RAILINGS WITH GLASS INFILL STYLE AND HANDRAILE STYLE 1

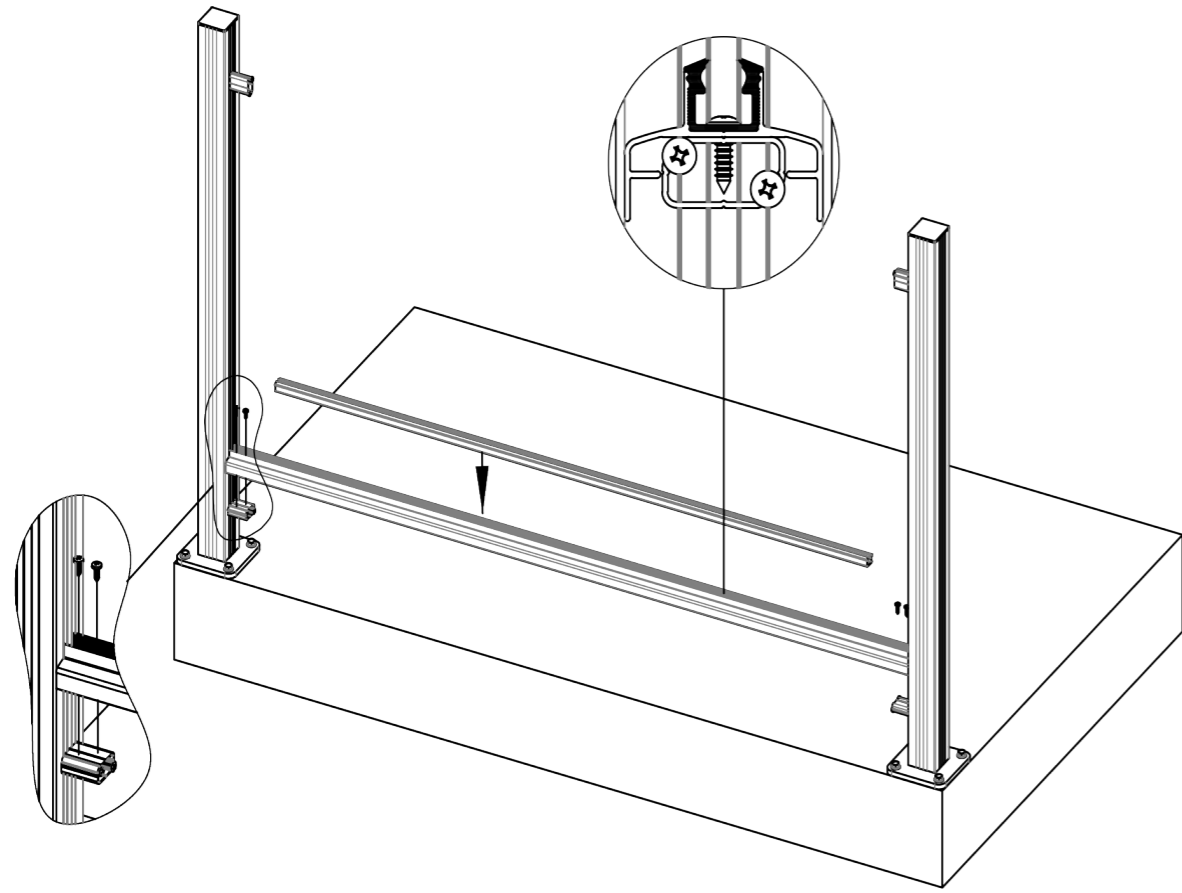


3.1



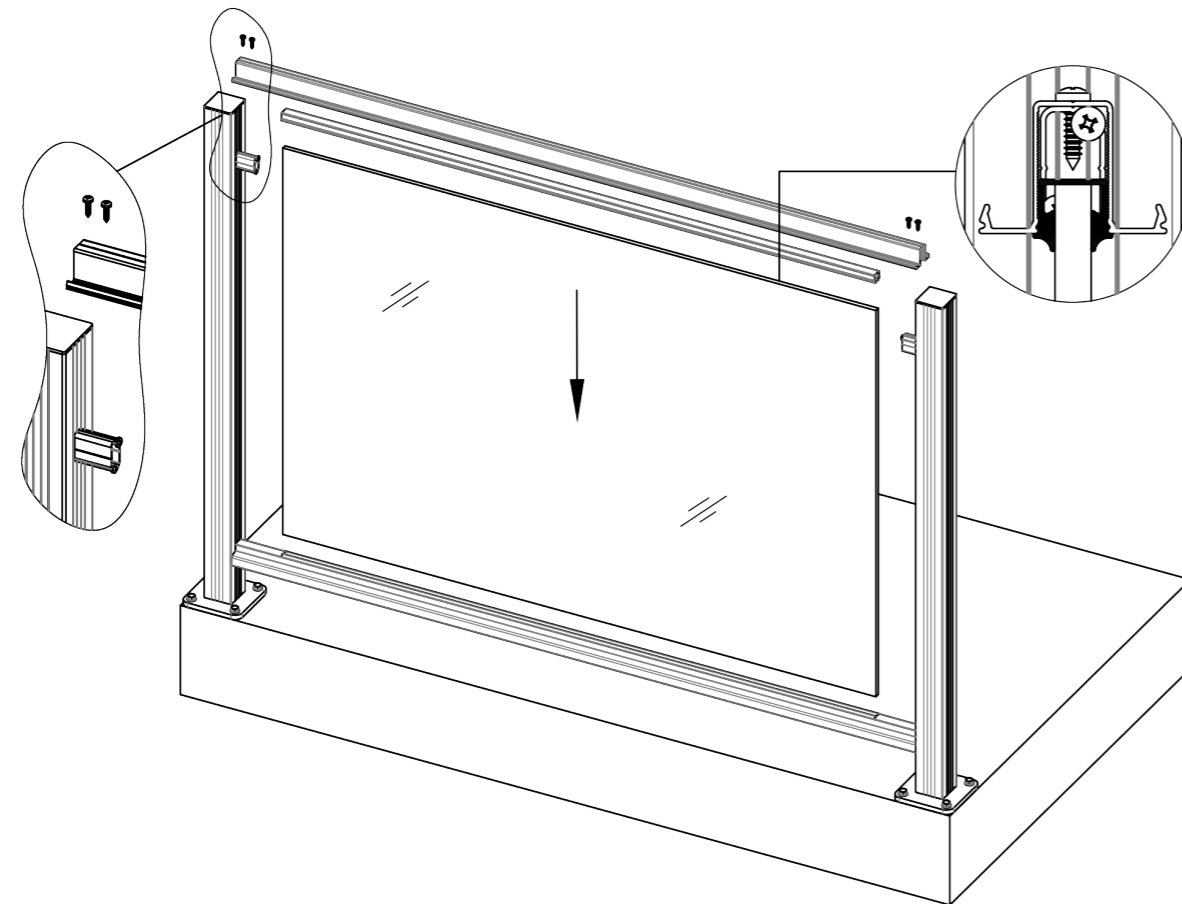
(8) PAN HEAD SCREW #8x2"

3.2



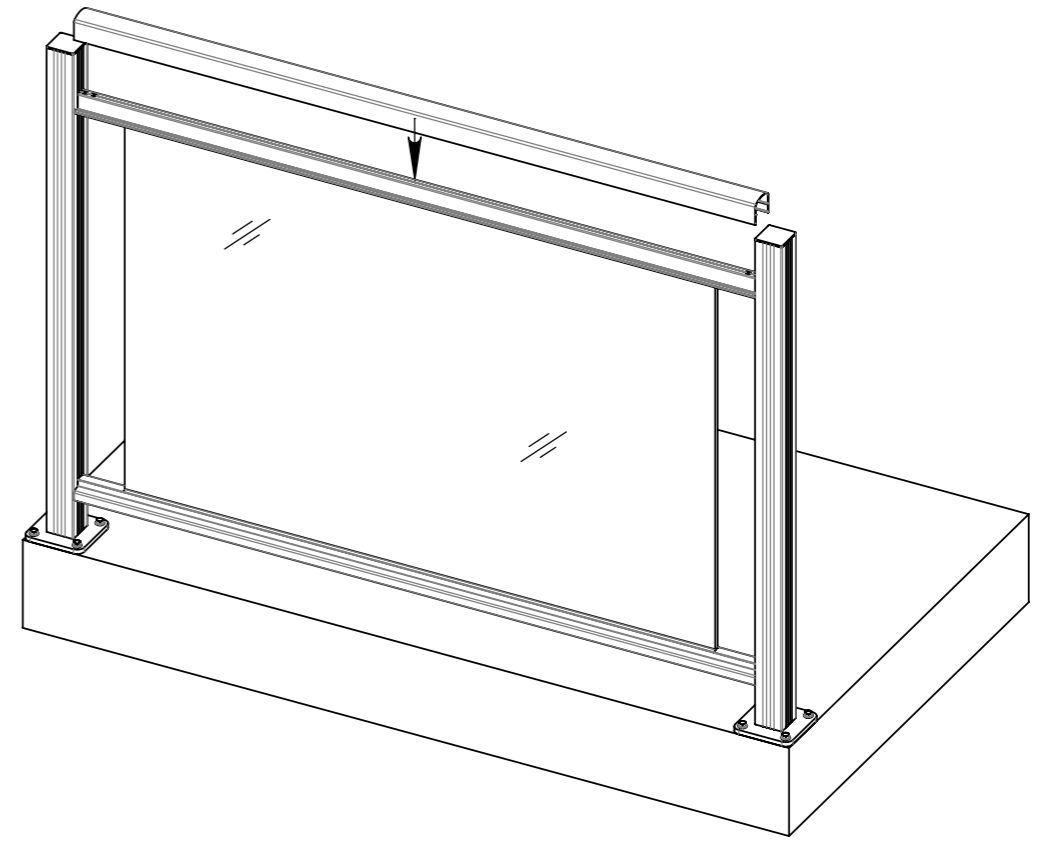
(4) PAN HEAD SCREW #8x3/4"

3.3

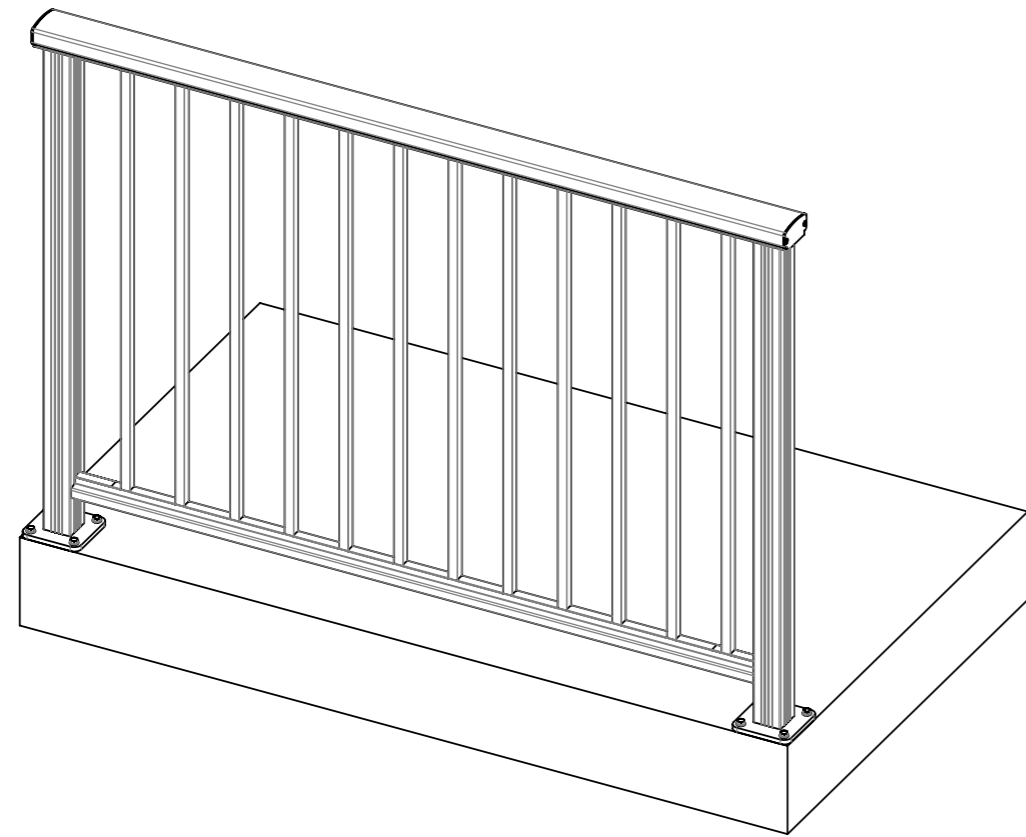


(4) PAN HEAD SCREW #8x3/4"

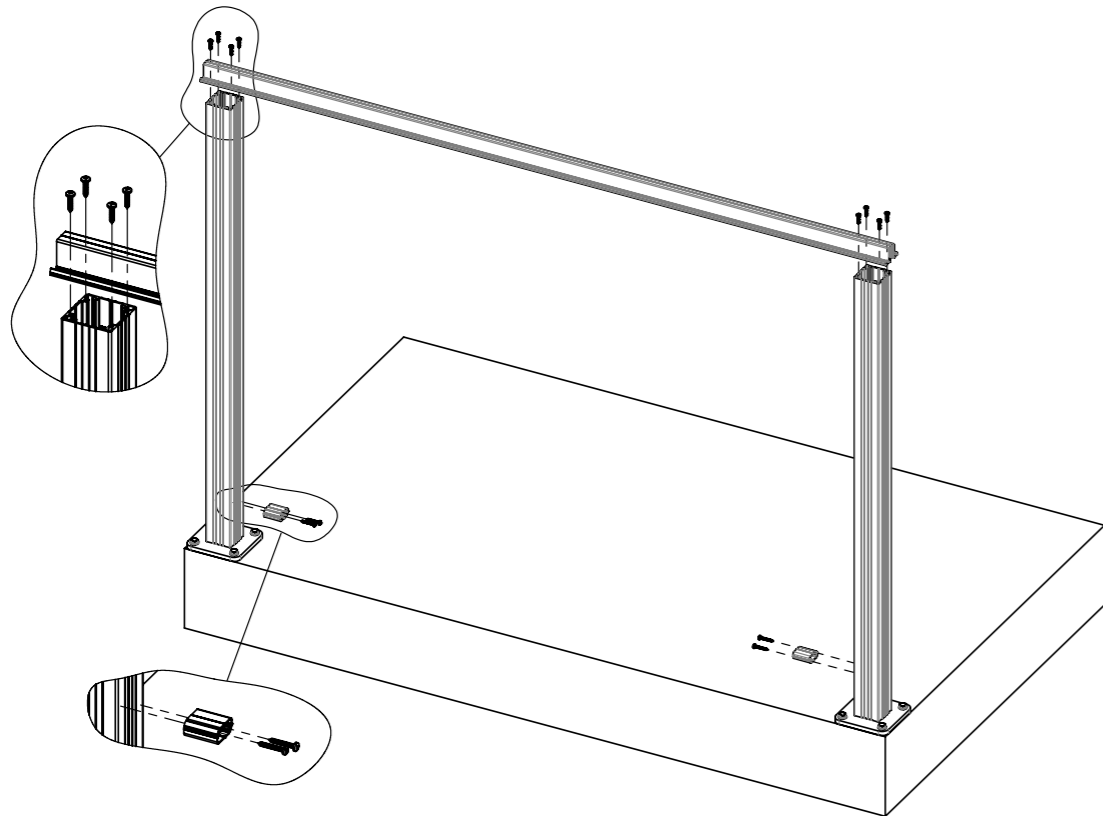
3.4



4 RAILINGS WITH PICKET INFILL AND HANDRAIL STYLE 2

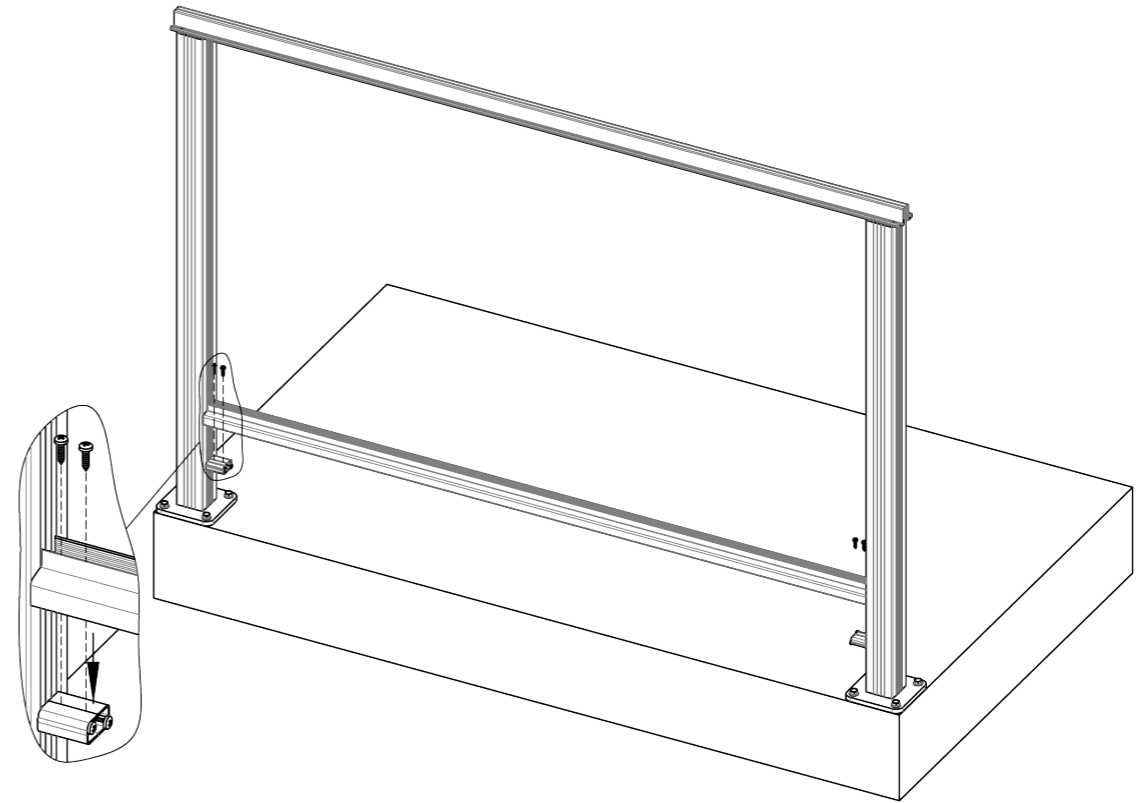


4.1  
(8) PAN HEAD SCREW #10x3/4"



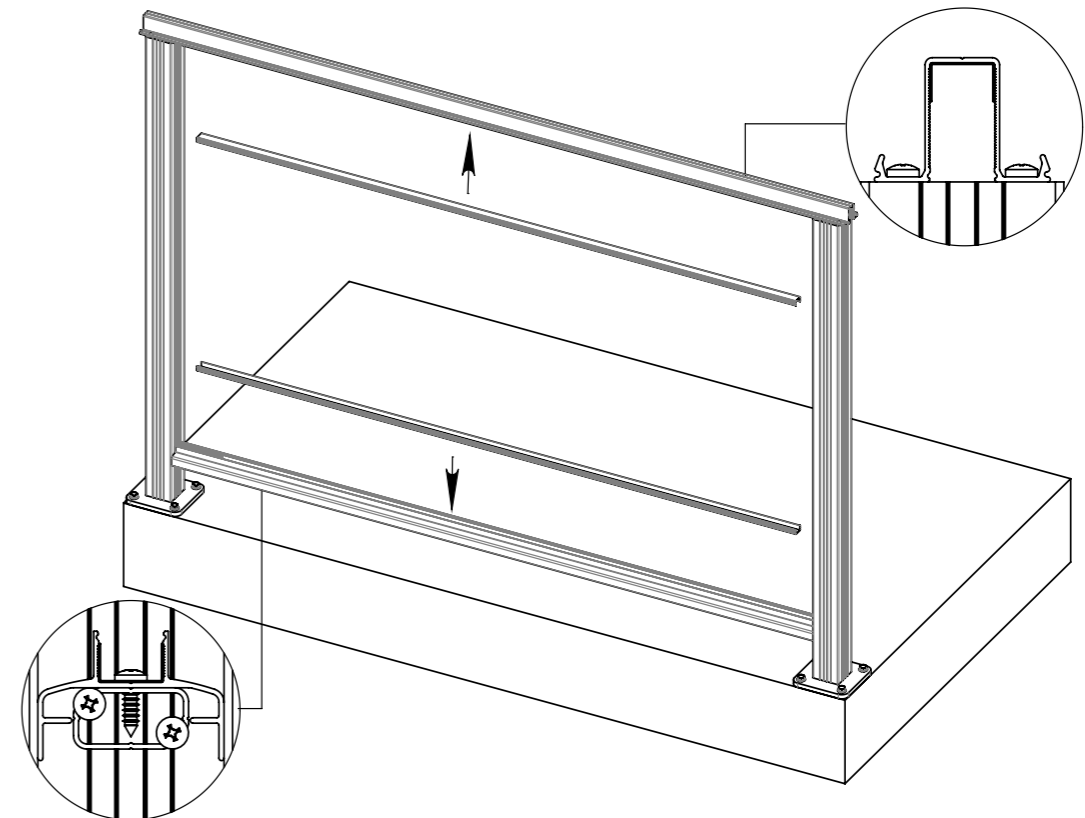
(4) PAN HEAD SCREW #8x2"

4.2

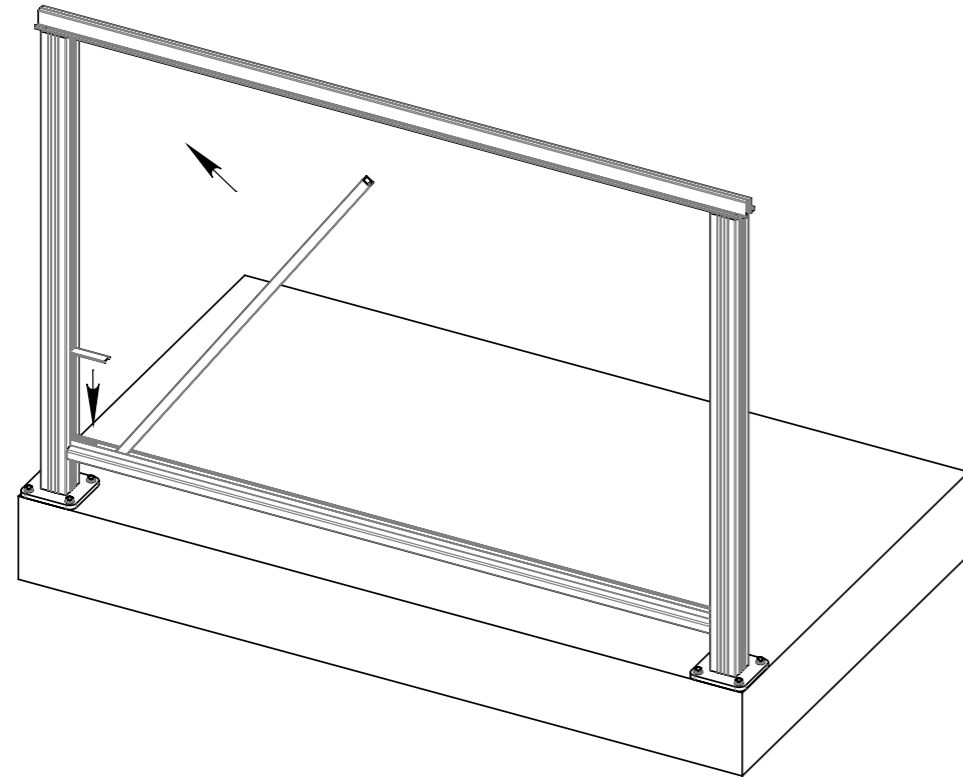


(4) PAN HEAD SCREW #8x3/4"

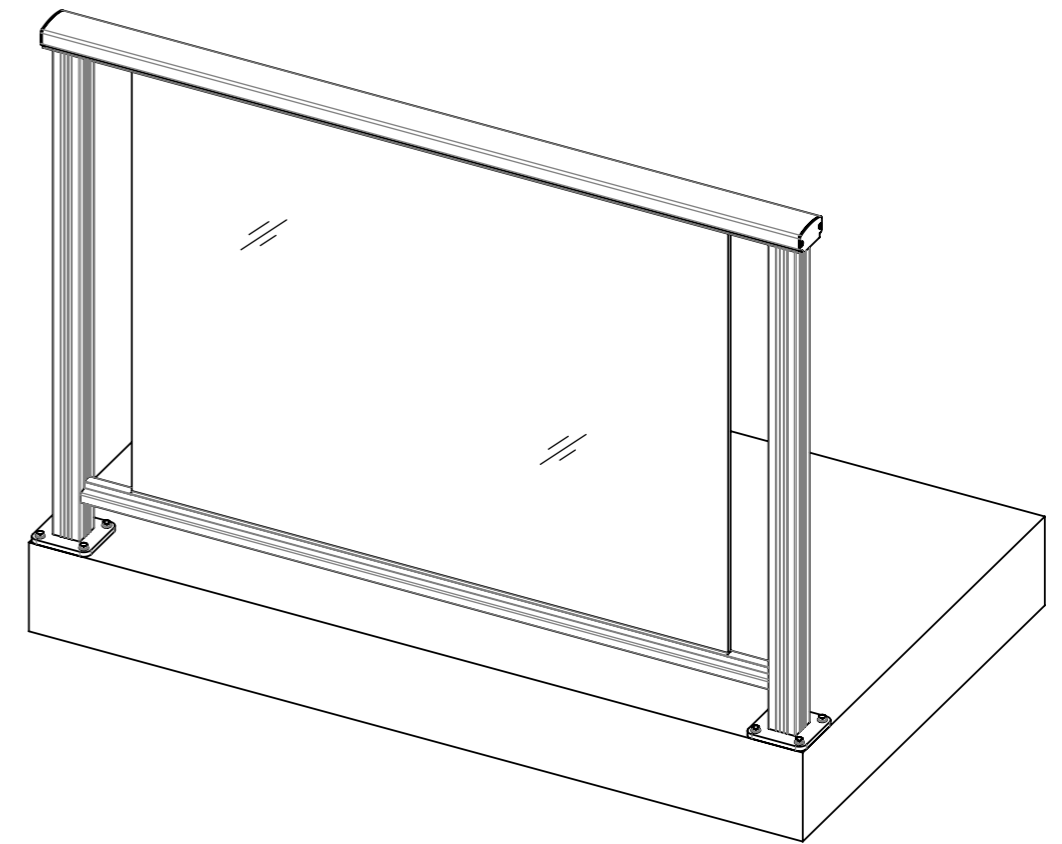
4.3



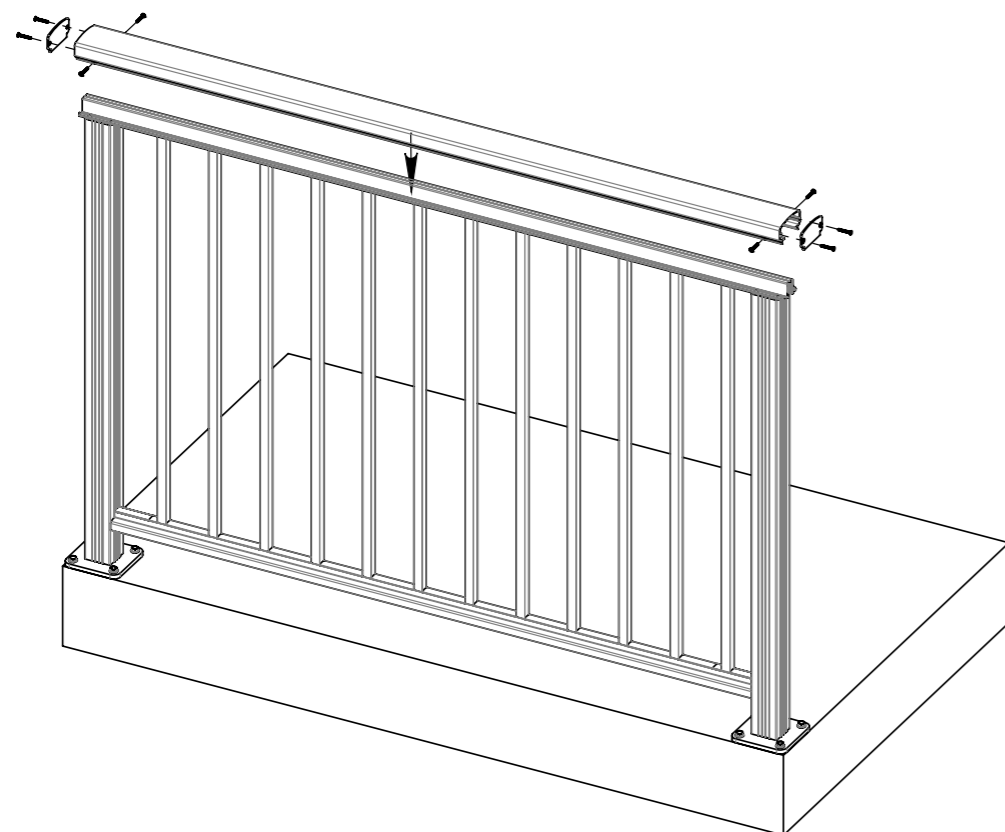
4.4



5 RAILINGS WITH GLASS INFILL AND HANDRAIL STYLE 2

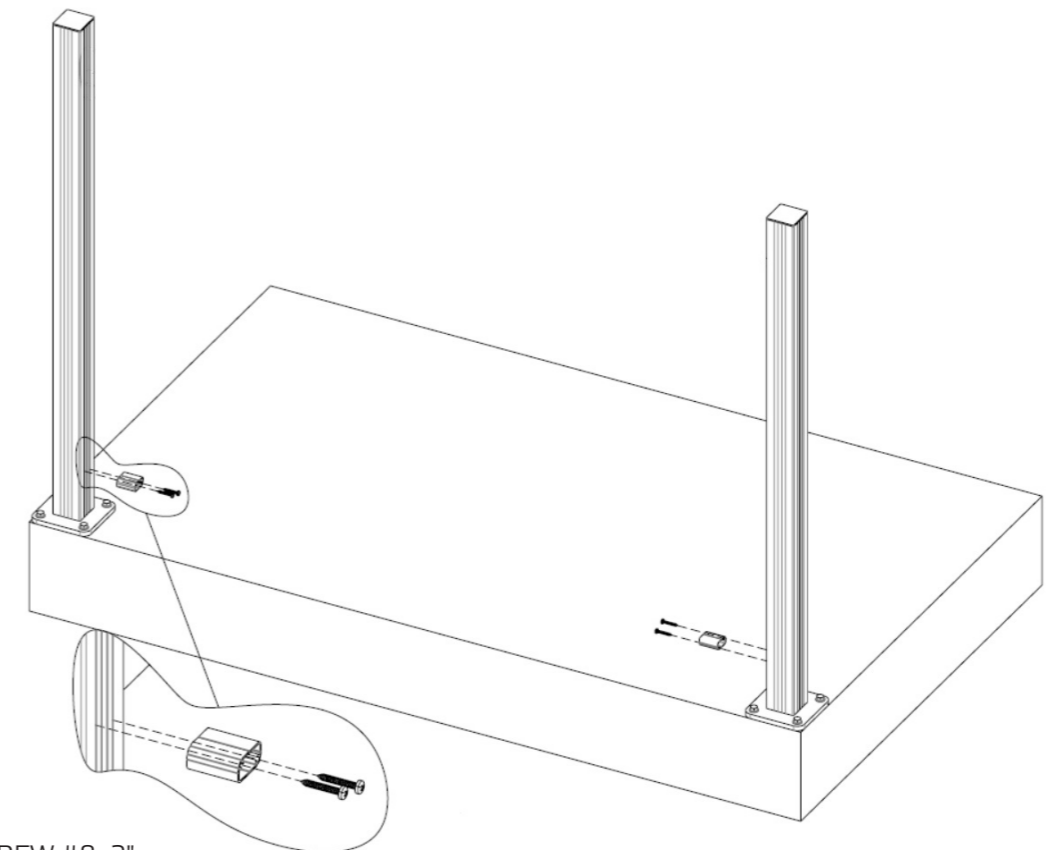


4.5



(2) FLAT HEAD SCREW #8x3/4"

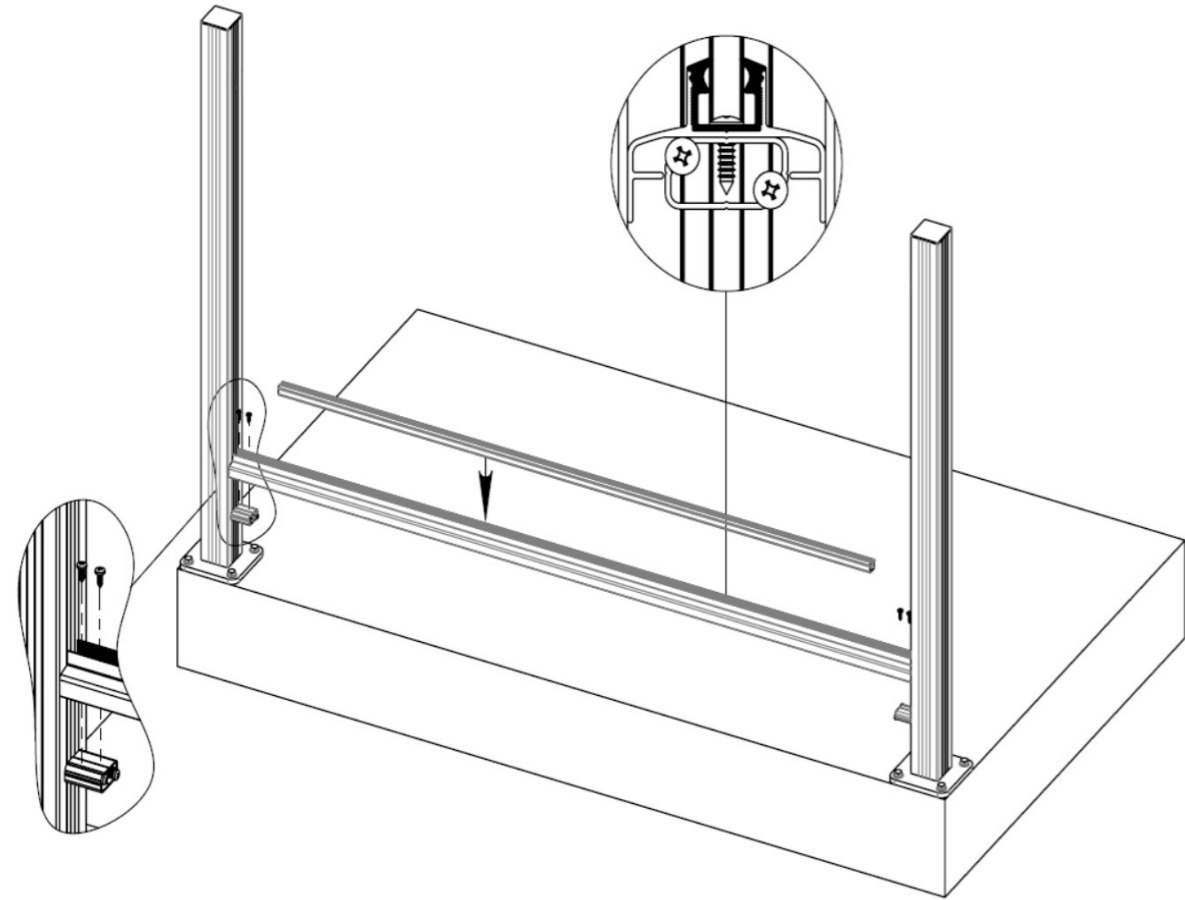
5.1



(8) PAN HEAD SCREW #8x2"

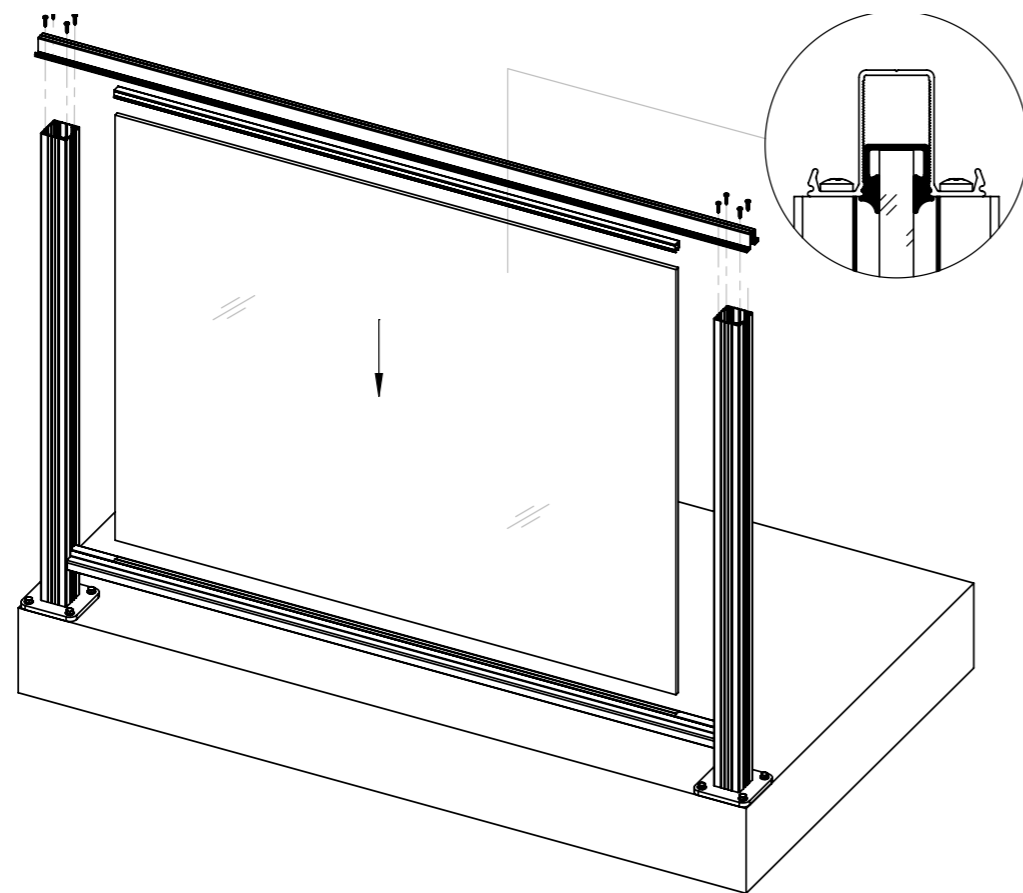


5.2



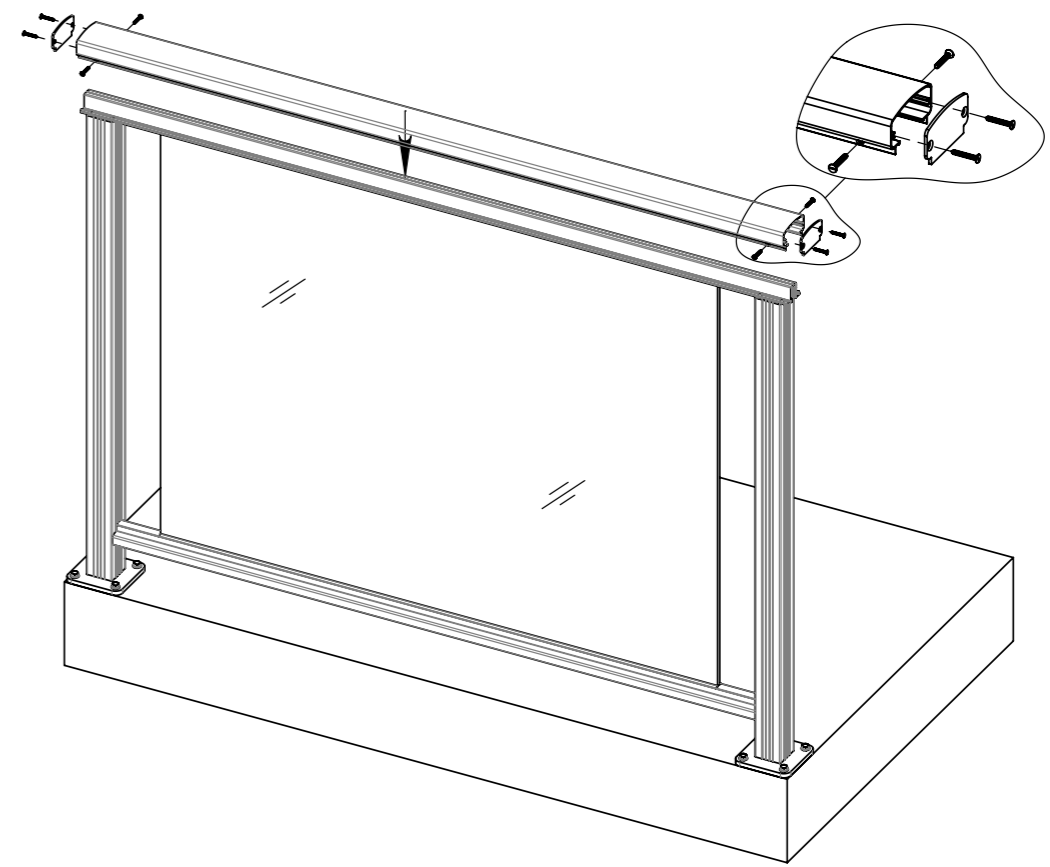
(4) PAN HEAD SCREW #8x3/4"

5.3

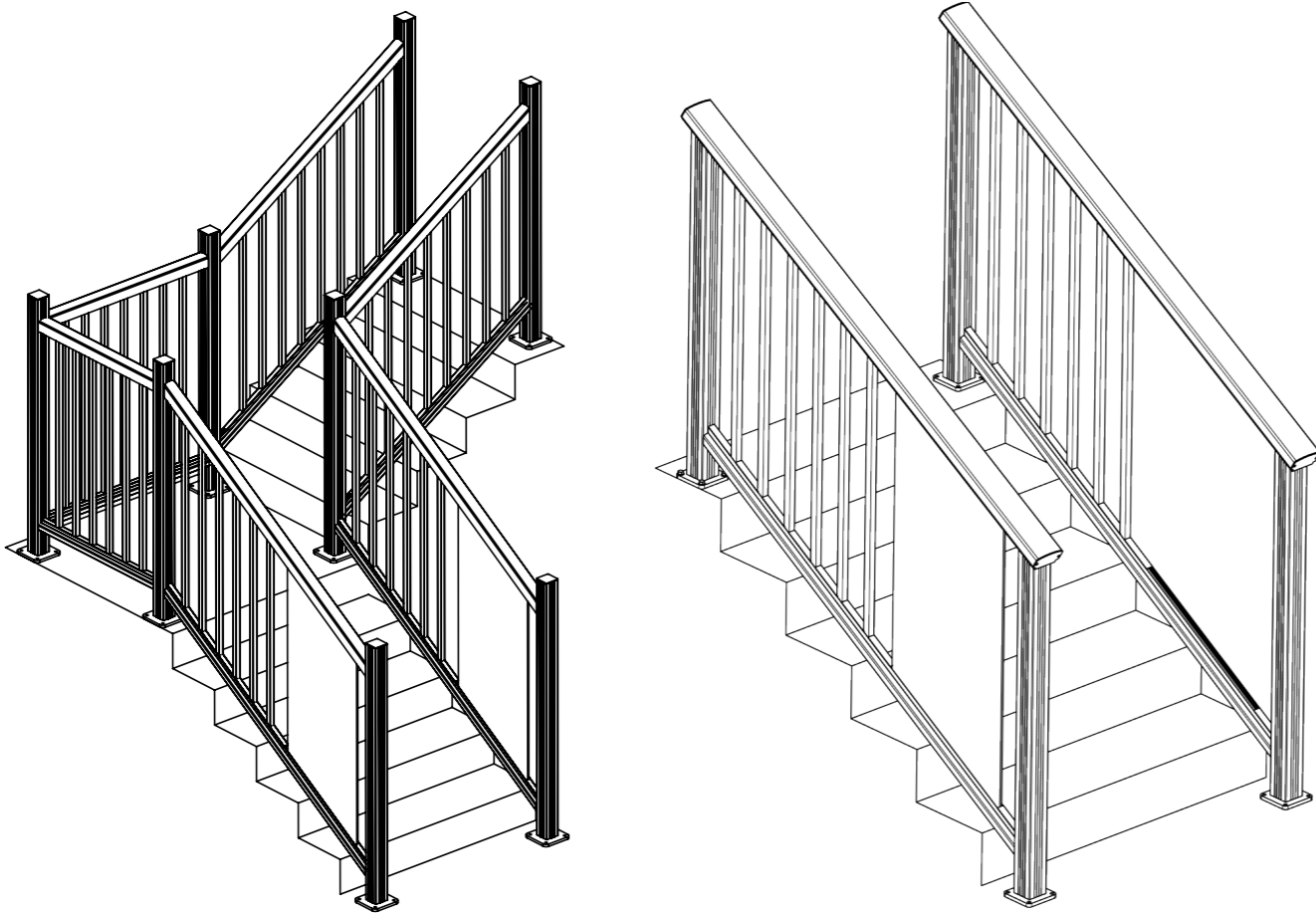


(8) PAN HEAD SCREW #10x3/4"

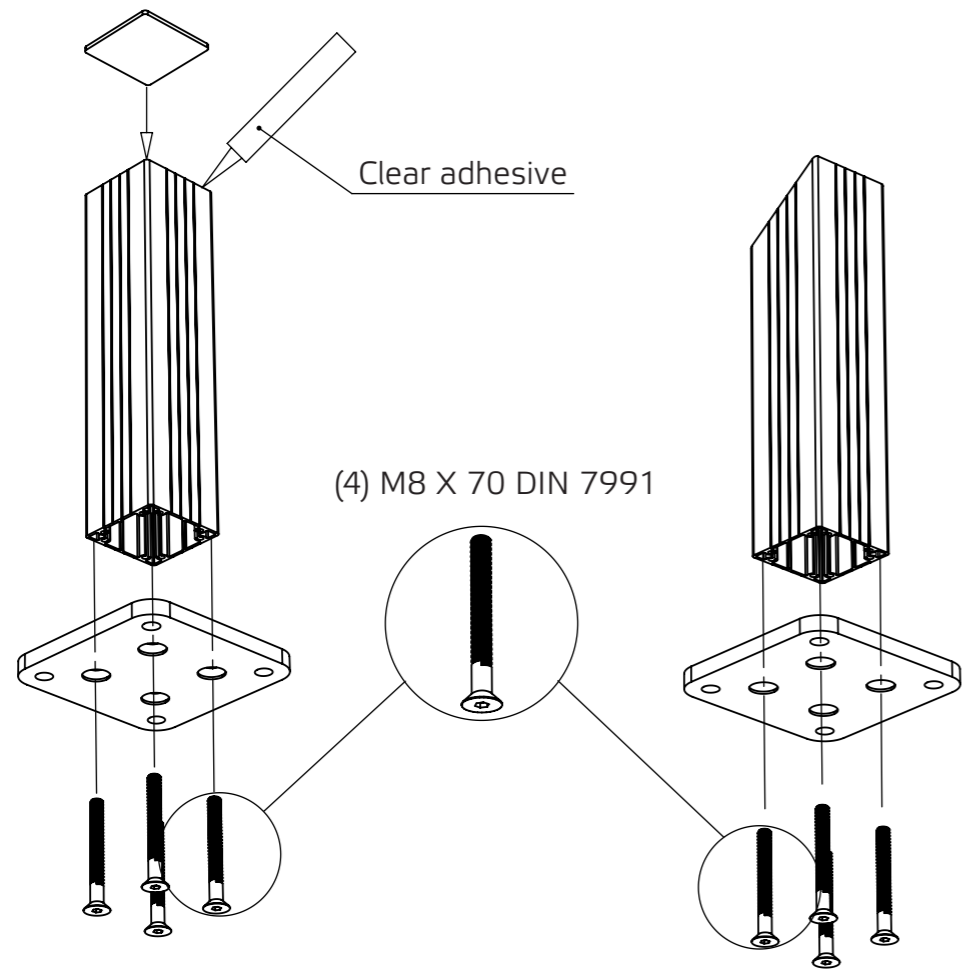
5.4



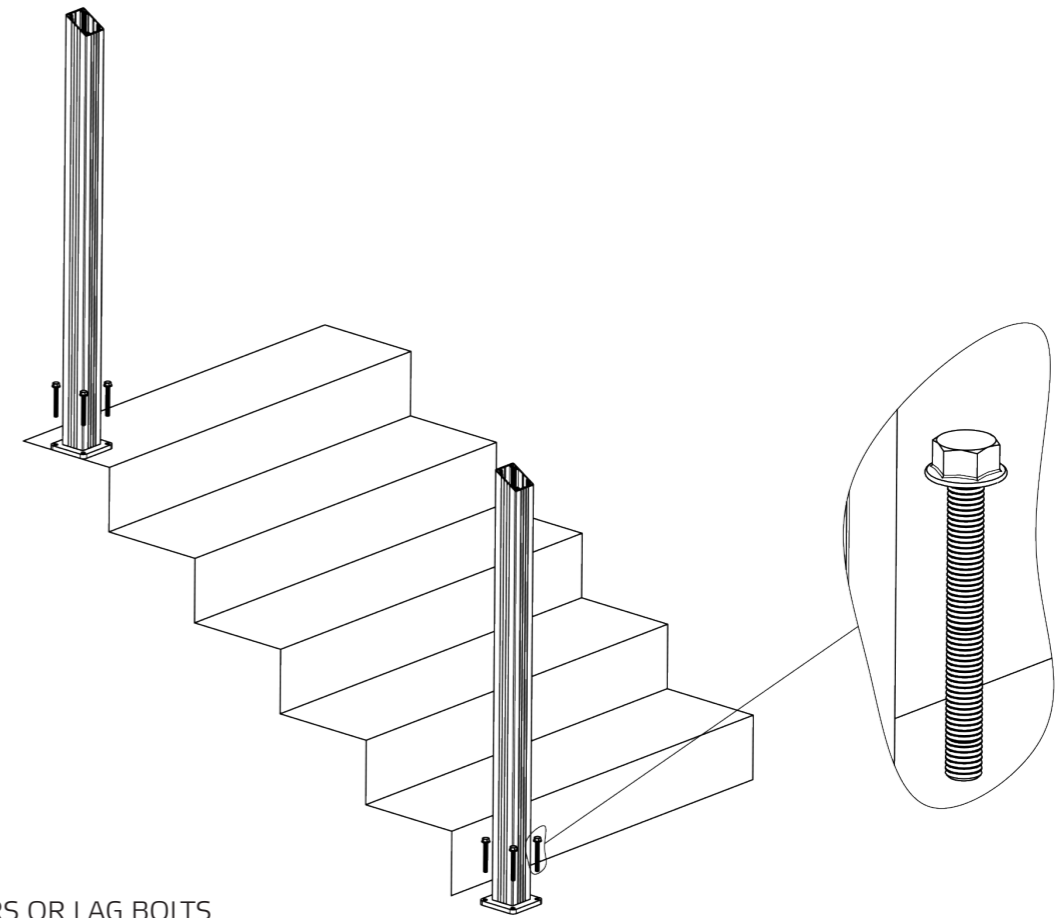
(2) FLAT HEAD SCREW #8x3/4"



6.1

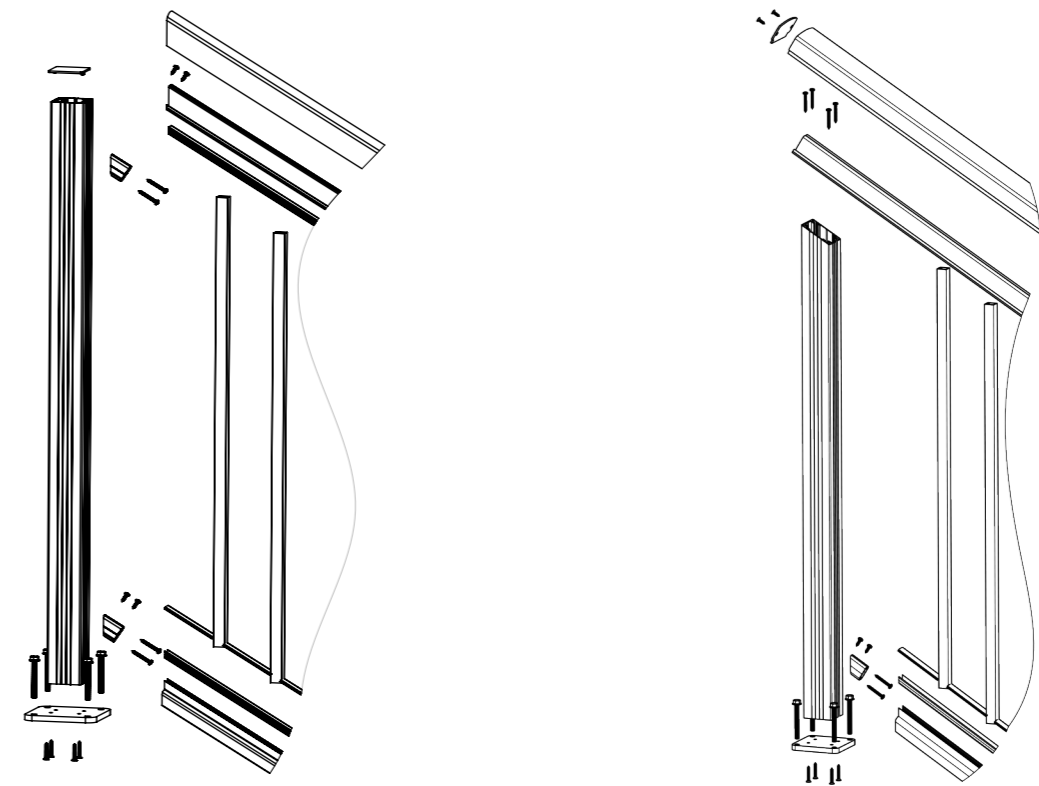


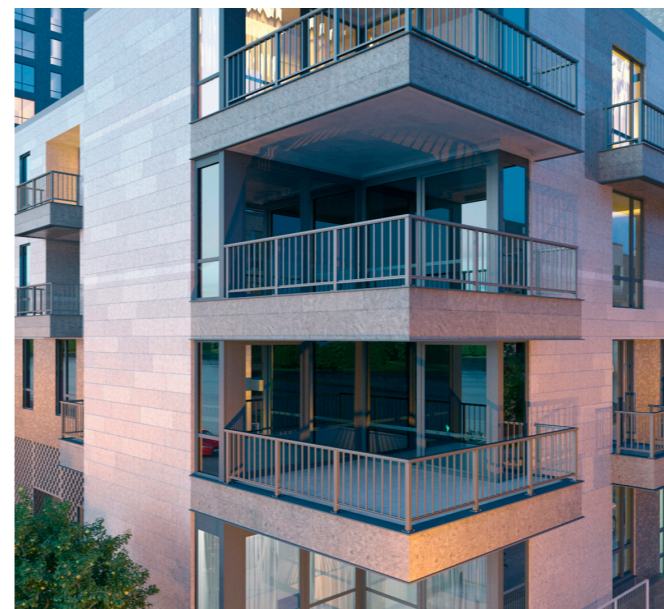
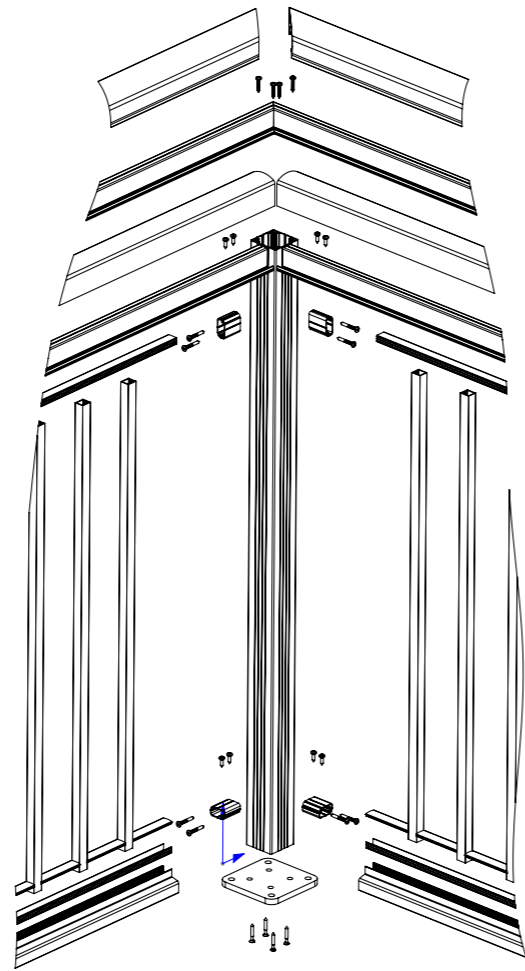
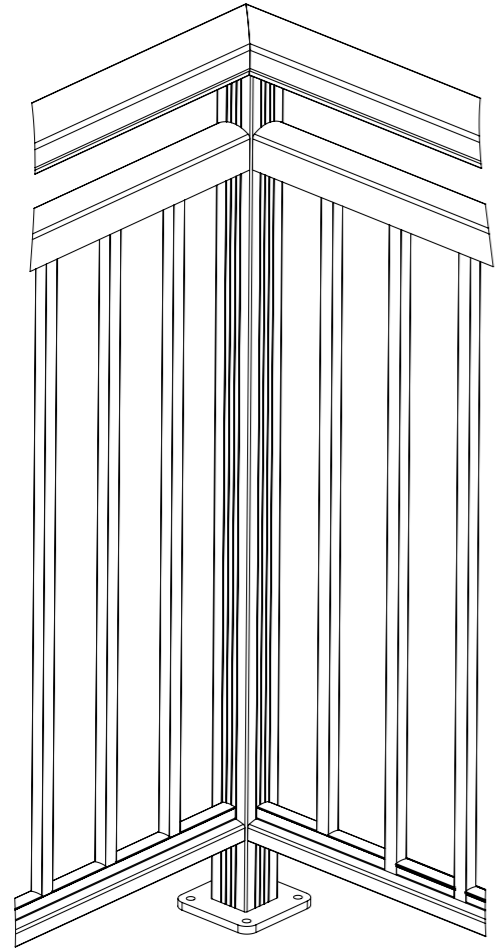
6.2

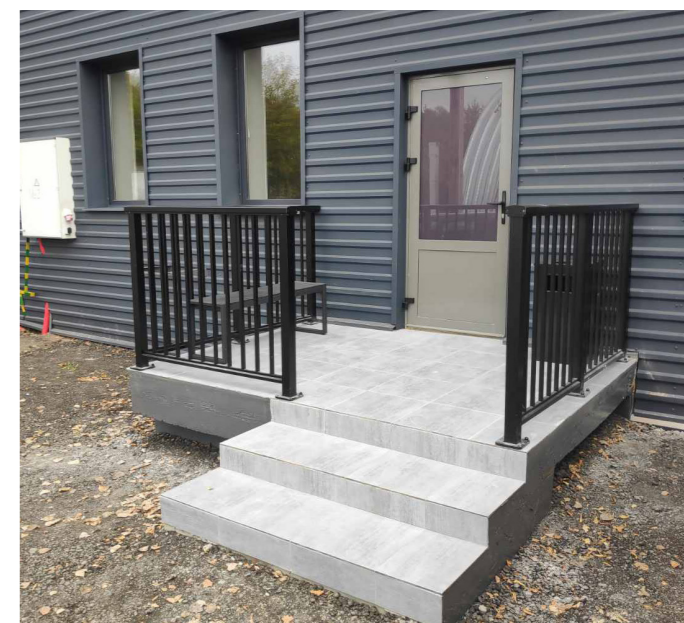


(8) ANCHORS OR LAG BOLTS

6.3







# TMH 660 ALUMINUM RAILING SYSTEM



**29 Briarcliff Rd, Bergenfield NJ 07621**

[www.nyglazing.com](http://www.nyglazing.com) | Phone: 1-855-694-5294 | Email: [info@nyglazing.com](mailto:info@nyglazing.com)